

Boutons étoiles • DIN 6336 alliage léger

EH 24660.



Description produit

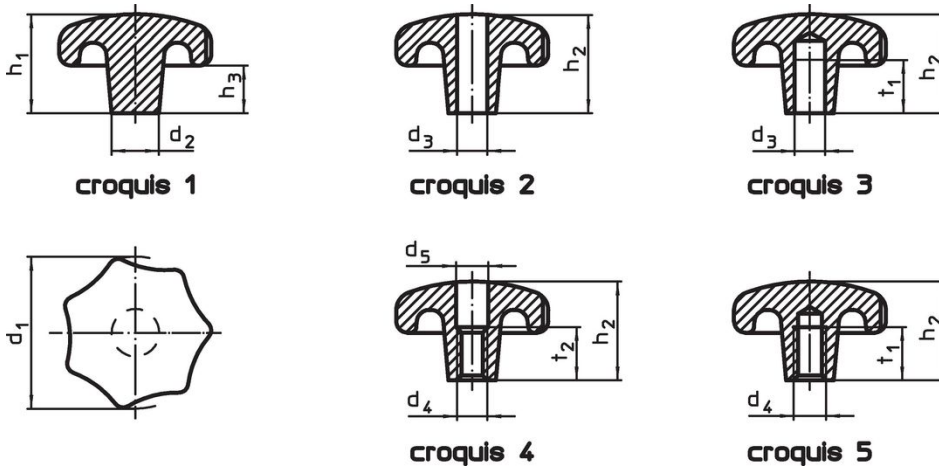
Ces Boutons étoiles sont fabriquées selon la norme DIN 6336.

Matières

Poignée


- alliage léger Al, non poli
- alliage léger Al, poli

Plan



Informations détaillées

| d ₁ | d ₂ | d ₃ H7 | d ₄ | Dimensions | | | | | | [g] | Référence article | |
|--|----------------|----------------------|----------------|----------------|----------------|----------------|----------------|------------------------|----------------|-----|-------------------|----------------------------|
| | | | | d ₅ | h ₁ | h ₂ | h ₃ | t ₁ min. | t ₂ | | | |
| [mm] | | | | | | | | | | | | |
| pièce brute, forme A – croquis 1, non poli | | | | | | | | | | | | |
| 40 | 14 | – | – | – | 26 | – | 13 | – | – | – | 36 | 24660.0040 |
| 50 | 18 | – | – | – | 34 | – | 17 | – | – | – | 70 | 24660.0050 |
| 63 | 20 | – | – | – | 42 | – | 21 | – | – | – | 128 | 24660.0063 |
| 80 | 25 | – | – | – | 52 | – | 25 | – | – | – | 245 | 24660.0080 |
| trou borgne lisse, forme C – croquis 3, non poli | | | | | | | | | | | | |
| 40 | 14 | 8 | – | – | – | 25 | – | 15 | – | – | 30 | 24660.0240 |
| 50 | 18 | 10 | – | – | – | 32 | – | 18 | – | – | 63 | 24660.0250 |
| 63 | 20 | 12 | – | – | – | 40 | – | 22 | – | – | 117 | 24660.0263 |
| 80 | 25 | 16 | – | – | – | 50 | – | 28 | – | – | 223 | 24660.0280 |
| avec taraudage et alésage traversant, forme D – croquis 4, non poli | | | | | | | | | | | | |
| 40 | 14 | – | M 8 | 8,4 | – | 25 | – | – | – | 13 | 32 | 24660.0340 |
| 50 | 18 | – | M10 | 10,5 | – | 32 | – | – | – | 16 | 62 | 24660.0350 |
| 63 | 20 | – | M12 | 13,0 | – | 40 | – | – | – | 20 | 109 | 24660.0363 |
| 80 | 25 | – | M16 | 17,0 | – | 50 | – | – | – | 20 | 218 | 24660.0380 |
| avec taraudage, trou borgne, forme E – croquis 5, non poli | | | | | | | | | | | | |
| 40 | 14 | – | M 8 | – | – | 25 | – | 15 | – | – | 33 | 24660.0440 |
| 50 | 18 | – | M10 | – | – | 32 | – | 18 | – | – | 63 | 24660.0450 |
| 63 | 20 | – | M12 | – | – | 40 | – | 22 | – | – | 118 | 24660.0463 |
| 80 | 25 | – | M16 | – | – | 50 | – | 28 | – | – | 227 | 24660.0480 |

| d ₁ | d ₂ | d ₃ H7 | d ₄ | Dimensions | | | | | |  | Référence article |
|--|----------------|----------------------|----------------|------------------------|----------------|----------------|----------------|------------------------|----------------|---|----------------------|
| | | | | d ₅ [mm] | h ₁ | h ₂ | h ₃ | t ₁ min. | t ₂ | | |
| trou borgne lisse, forme C – croquis 3, poli | | | | | | | | | | | |
| 40 | 14 | 8 | – | – | – | 25 | – | 15 | – | 30 | 24660.0640 |
| 50 | 18 | 10 | – | – | – | 32 | – | 18 | – | 63 | 24660.0650 |
| 63 | 20 | 12 | – | – | – | 40 | – | 22 | – | 117 | 24660.0663 |
| 80 | 25 | 16 | – | – | – | 50 | – | 28 | – | 223 | 24660.0680 |
| avec taraudage et alésage traversant, forme D – croquis 4, poli | | | | | | | | | | | |
| 40 | 14 | – | M 8 | 8,4 | – | 25 | – | – | 13 | 32 | 24660.0740 |
| 50 | 18 | – | M10 | 10,5 | – | 32 | – | – | 16 | 62 | 24660.0750 |
| 63 | 20 | – | M12 | 13,0 | – | 40 | – | – | 20 | 109 | 24660.0763 |
| 80 | 25 | – | M16 | 17,0 | – | 50 | – | – | 20 | 218 | 24660.0780 |
| avec taraudage, trou borgne, forme E – croquis 5, poli | | | | | | | | | | | |
| 40 | 14 | – | M 8 | – | – | 25 | – | 15 | – | 33 | 24660.0840 |
| 50 | 18 | – | M10 | – | – | 32 | – | 18 | – | 63 | 24660.0850 |
| 63 | 20 | – | M12 | – | – | 40 | – | 22 | – | 118 | 24660.0863 |
| 80 | 25 | – | M16 | – | – | 50 | – | 28 | – | 227 | 24660.0880 |

Conformité

Conforme à la directive RoHS

Contient du plomb – Conforme selon les exceptions 6a / 6b / 6c.

Contient des substances SVHC >0,1 % m/m

Contient du plomb – Liste SVHC [REACH] au 23.01.2024.

Contient des substances de la Proposition 65



En cas d'exposition, le plomb peut être cancérigène et reprotoxique.

<https://www.P65Warnings.ca.gov/>

Ne contient pas de minerais de la guerre

Ce produit ne contient pas de substances classées comme "minerais de la guerre" telles que le tantale, l'étain, l'or ou le wolfram provenant de République démocratique du Congo ou de pays frontaliers.