

Broches à billes · autobloquantes, avec poignée élastique

22380.0772



Description produit

Pour fixer, arrêter, ajuster, changer et bloquer rapidement. Applications multiples dans les domaines les plus divers : sports, loisirs, médical, construction de machines et outillages... Déverrouillage simple et rapide lors d'opérations d'assemblage répétitives. Toutes les versions sont résistantes à la corrosion. L'utilisation d'acier inoxydable 1.4542 : axe traité, trempé par précipitation, présente en plus une bonne résistance à l'usure. Poignée élastique, ergonomique avec verrouillage intégré. Design nouveau, moderne, breveté.

Matières

Axe

- inox 1.4542, trempé par précipitation

Poignée

- thermoplastique (PBT/TPE), gris / orange

Fonctionnement

Les billes sont déverrouillées en appuyant sur le bouton.

Caractéristique

En inox 1.4542 avec un marquage sous les billes.

Plus d'informations

Notes

Réalisations spéciales sur demande.

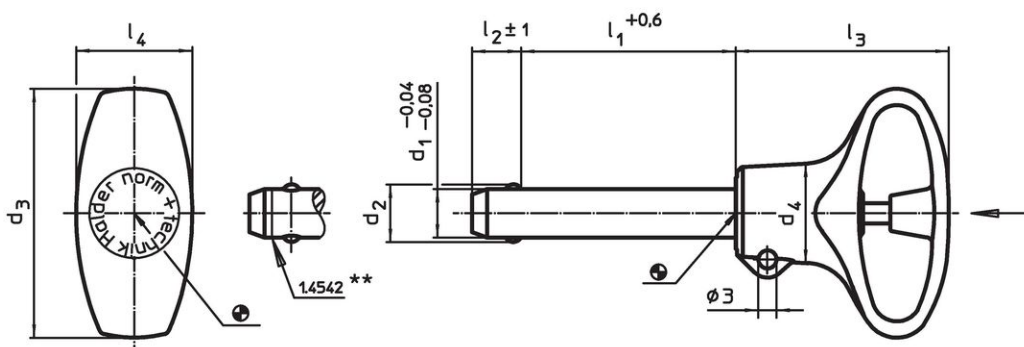
Accessoires

Possibilité de fixation avec l'utilisation des câbles de retenue EH 22400.

Autres produits

- Douilles de fixation, pour broches à billes et axes de fixation
- Douilles de fixation, avec flasque, pour broches à billes et axes de fixation
- Câbles de retenue
- Douille de perçage et guidage, à collerette, DIN 172 A
- Douille de perçage et guidage, sans collerette, DIN 179 A

Plan

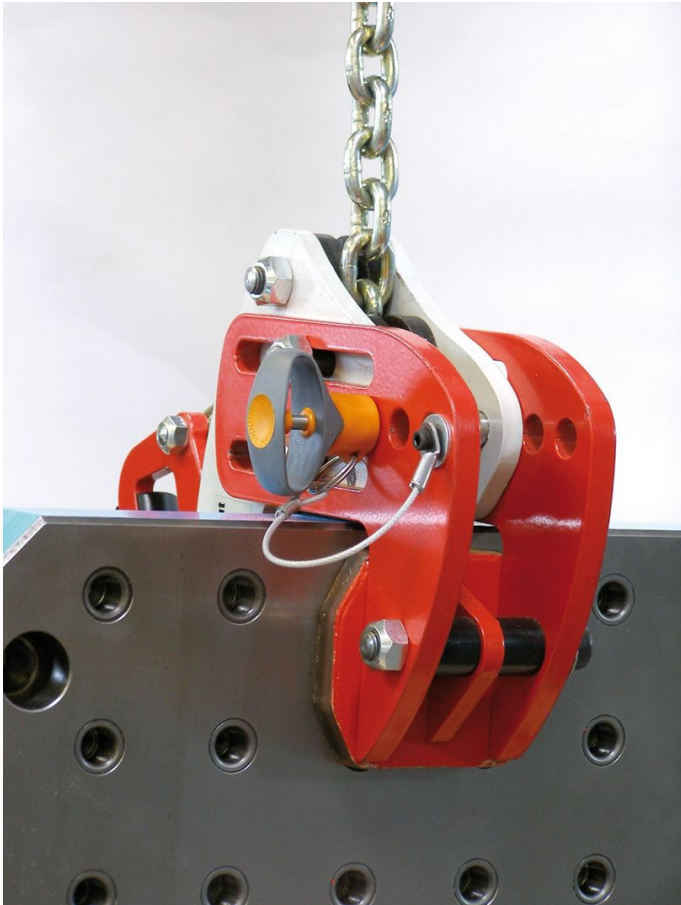
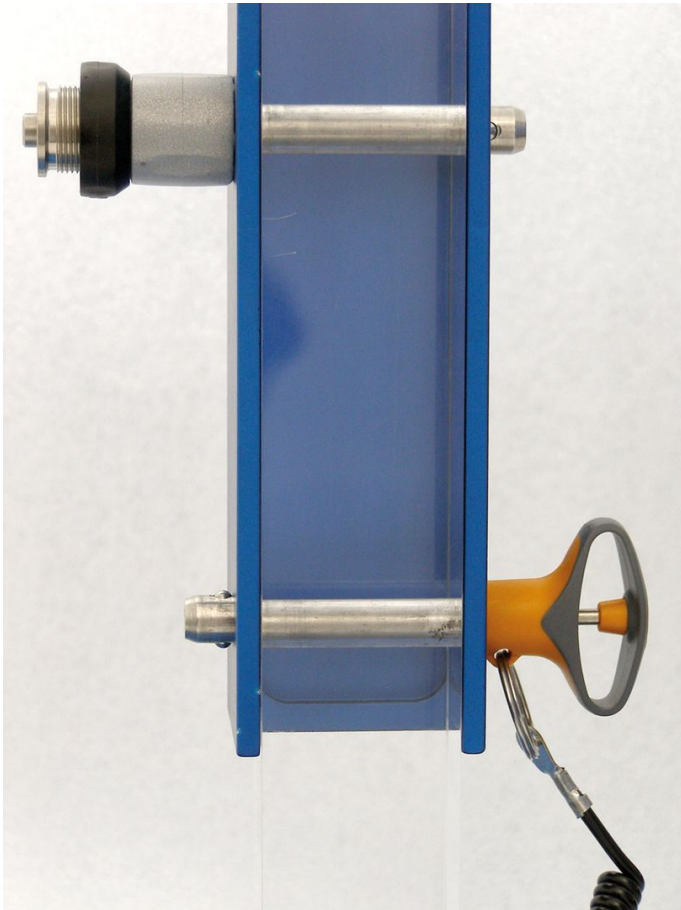


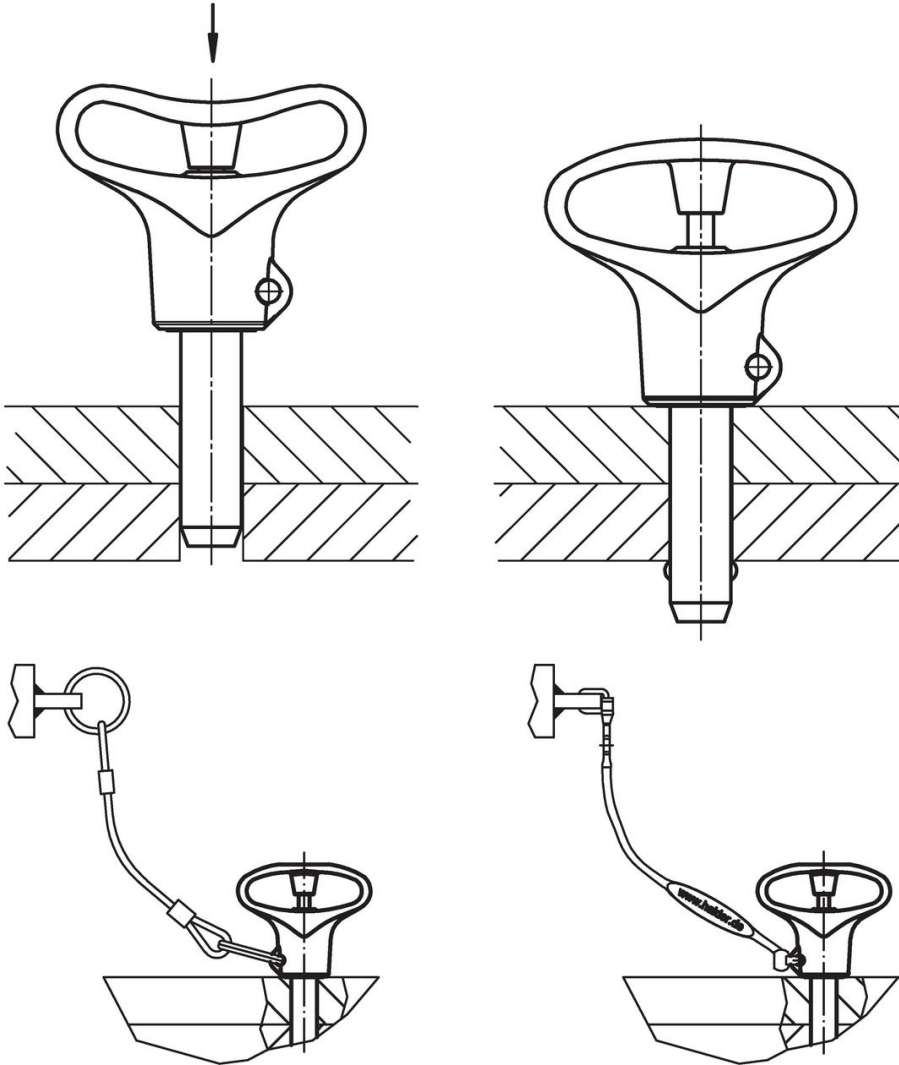
** Version en inox 1.4542 avec marquage.

Informations détaillées

Dimensions							Alésage de positionnement ⁺	Température		Poids	Résistance double cisaillement ¹⁾ min.	Référence article
d ₁	l ₁	d ₂	d ₃	d ₄	l ₂	l ₃		l ₄	min.			
-0,04 -0,08	+0,6				±1							
[mm]												
[mm]												
[°C]												
[g]												
[kN]												
[mm]												
[°C]												
[g]												
[kN]												
[mm]												
[°C]												
[g]												
[kN]												
[mm]												
[°C]												
[g]												
[kN]												
[mm]												
[°C]												
[g]												
[kN]												
[mm]												
[°C]												
[g]												
[kN]												
[mm]												
[°C]												
[g]												
[kN]												
[mm]												
[°C]												
[g]												
[kN]												
[mm]												
[°C]												
[g]												
[kN]												
[mm]												
[°C]												
[g]												
[kN]												
[mm]												
[°C]												
[g]												
[kN]												
[mm]												
[°C]												
[g]												
[kN]												
[mm]												
[°C]												
[g]												
[kN]												
[mm]												
[°C]												
[g]												
[kN]												
[mm]												
[°C]												
[g]												
[kN]												
[mm]												
[°C]												
[g]												
[kN]												
[mm]												
[°C]												
[g]												
[kN]												
[mm]												
[°C]												
[g]												
[kN]												
[mm]												
[°C]												
[g]												
[kN]												
[mm]												
[°C]												
[g]												
[kN]												
[mm]												
[°C]												
[g]												
[kN]												
[mm]												
[°C]												
[g]												
[kN]												
[mm]												
[°C]												
[g]												
[kN]												
[mm]												
[°C]												
[g]												
[kN]												
[mm]												
[°C]												
[g]												
[kN]												
[mm]												
[°C]												
[g]												
[kN]												
[mm]												
[°C]												
[g]												
[kN]												
[mm]												
[°C]												
[g]												
[kN]												
[mm]												
[°C]												
[g]												
[kN]												
[mm]												
[°C]												
[g]												
[kN]												
[mm]												
[°C]												
[g]												
[kN]												
[mm]												
[°C]												
[g]												
[kN]												
[mm]												
[°C]												
[g]												
[kN]												
[mm]												
[°C]												
[g]												
[kN]												
[mm]												
[°C]												
[g]												
[kN]												
[mm]												
[°C]												
[g]												
[kN]												
[mm]												
[°C]												
[g]												
[kN]												
[mm]												
[°C]												
[g]												
[kN]												
[mm]												
[°C]												
[g]												
[kN]												
[mm]												
[°C]												
[g]												
[kN]												
[mm]												
[°C]												
[g]												
[kN]												
[mm]												
[°C]												
[g]												
[kN]												
[mm]												
[°C]												
[g]												
[kN]												
[mm]												
[°C]												
[g]												
[kN]												
[mm]												
[°C]												
[g]												
[kN]												
[mm]												
[°C]												
[g]												
[kN]												
[mm]												
[°C]												
[g]												
[kN]												
[mm]												
[°C]												
[g]												
[kN]												
[mm]												
[°C]												
[g]												
[kN]												
[mm]												
[°C]												
[g]												
[kN]												
[mm]												
[°C]												
[g]												
[kN]												
[mm]												
[°C]												
[g]												
[kN]												
[mm]												
[°C]												
[g]												
[kN]												
[mm]												
[°C]												
[g]												
[kN]												
[mm]												
[°C]												
[g]												
[kN]												
[mm]												
[°C]												
[g]												
[kN]												
[mm]												
[°C]												
[g]												
[kN]												
[mm]												
[°C]												
[g]												
[kN]												
[mm]												
[°C]												
[g]												
[kN]												
[mm]												
[°C]												
[g]												
[kN]												
[mm]												
[°C]												
[g]												
[kN]												
[mm]												
[°C]												
[g]												
[kN]												
[mm]												
[°C]												
[g]												
[kN]												
[mm]												
[°C]												
[g]												
[kN]												
[mm]												
[°C]												
[g]												
[kN]												
[mm]												
[°C]												
[g]												
[kN]												
[mm]												
[°C]												
[g]												
[kN]												
[mm]												
[°C]												
[g]												
[kN]												
[mm]												
[°C]												
[g]												
[kN]												
[mm]												
[°C]												
[g]												
[kN]												
[mm]												
[°C]												
[g]												
[kN]												
[mm]												
[°C]												
[g]												
[kN]												
[mm]												
[°C]												
[g]												
[kN]												
[mm]												
[°C]												
[g]												
[kN]												
[mm]												
[°C]												
[g]												
[kN]												
[mm]												
[°C]												
[g]												
[kN]												
[mm]												
[°C]												
[g]												
[kN]												
[mm]												
[°C]												
[g]												
[kN]												
[mm]												
[°C]												
[g]												
[kN]												
[mm]												
[°C]												
[g]												
[kN]												
[mm]												
[°C]												
[g]												
[kN]												
[mm]												
[°C]												
[g]												
[kN]												
[mm]												
[°C]												
[g]												
[kN]												
[mm]												
[°C]												
[g]												
[kN]												
[mm]												
[°C]												
[g]												
[kN]												
[mm]												
[°C]												
[g]												
[kN]												
[mm]												
[°C]												
[g]												
[kN]												
[mm]												
[°C]												
[g]												
[kN]												
[mm]												
[°C]												
[g]												
[kN]												
[mm]												
[°C]												
[g]												
[kN]												
[mm]												
[°C]												
[g]												
[kN]												
[mm]												
[°C]												
[g]												
[kN]												
[mm]												
[°C]												
[g]												
[kN]												
[mm]												
[°C]												
[g]												
[kN]												
[mm]												
[°C]												
[g]												
[kN]												
[mm]												
[°C]												
[g]												
[kN]												
[mm]												
[°C]												
[g]												
[kN]												
[mm]												
[°C]												
[g]												
[kN]												
[mm]												
[°C]												
[g]												

Exemple d'application





Conformité

Conforme à la directive RoHS

Conforme à la directive 2011/65/CE et à la directive 2015/863.

Ne contient pas de substances SVHC

Pas de substances SVHC avec une teneur supérieure à 0,1% m/m – Liste SVHC [REACH] au 23.01.2024.

Ne contient pas de substances de la Proposition 65

Aucune des substances de la Proposition 65 présente.

<https://www.P65Warnings.ca.gov/>

Ne contient pas de minerais de la guerre

Ce produit ne contient pas de substances classées comme "minerais de la guerre" telles que le tantale, l'étain, l'or ou le wolfram provenant de République démocratique du Congo ou de pays frontaliers.