

Rubber Endstop Buffers · cylindrical, front mounting

EH 25150.



Product Description

To be used as an elastic end-stop, bearing foot etc.

The hardness is $55 \pm 5^\circ$ shore A. Further shore hardnesses ($40 \pm 5^\circ$ shore A and $70 \pm 5^\circ$ shore A) on request.

Material

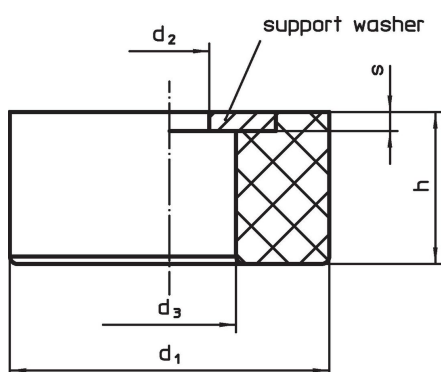
Support washer

- Stainless steel 1.4301

Body

- NBR

Drawing



Order information

Dimensions					Spring rate R ~ [N/mm]	Load capacity max. [N]	Spring range ~ [mm]	 min. max. [°C]		 [g]	Art. No.
d ₁	h	d ₂ [mm]	d ₃	s				min.	max.		
16	8	4.3	8.0	1.0	140	280	2.0	-30	120	1.9	25150.1516
20	10	5.3	9.5	1.2	148	370	2.5	-30	120	3.8	25150.1520
25	12	6.4	11.0	1.6	210	630	3.0	-30	120	7.4	25150.1525
35	16	8.4	14.0	2.0	345	1380	4.0	-30	120	19.0	25150.1535
42	20	8.4	17.5	2.0	360	1800	5.0	-30	120	31.0	25150.1542
42	20	10.5	17.5	2.5	360	1800	5.0	-30	120	37.0	25150.1543
56	24	8.4	19.5	2.0	577	3460	6.0	-30	120	63.0	25150.1556
56	24	13.0	19.5	3.0	577	3460	6.0	-30	120	79.0	25150.1557

Compliance

RoHS compliant

Compliant according to Directive 2011/65/EU and Directive 2015/863.

Does not contain SVHC substances

No SVHC substances with more than 0.1% w/w contained - SVHC list [REACH] as of 23.01.2024.

Does not contain Proposition 65 substances

No Proposition 65 substances included.

<https://www.P65Warnings.ca.gov/>

Free from Conflict Minerals

This product does not contain any substances designated as "conflict minerals" such as tantalum, tin, gold or tungsten from the Democratic Republic of Congo or adjacent countries.