

Set Collars · with quick setting

EH 25071.



Product Description

To be used for positioning, gripping, clamping and as a quick adjustment element on shafts. Quick, self-clamping and vibration-free mounting by one-hand operation in pull-direction.

Material

Body

- Thermoplastic PA 6, black

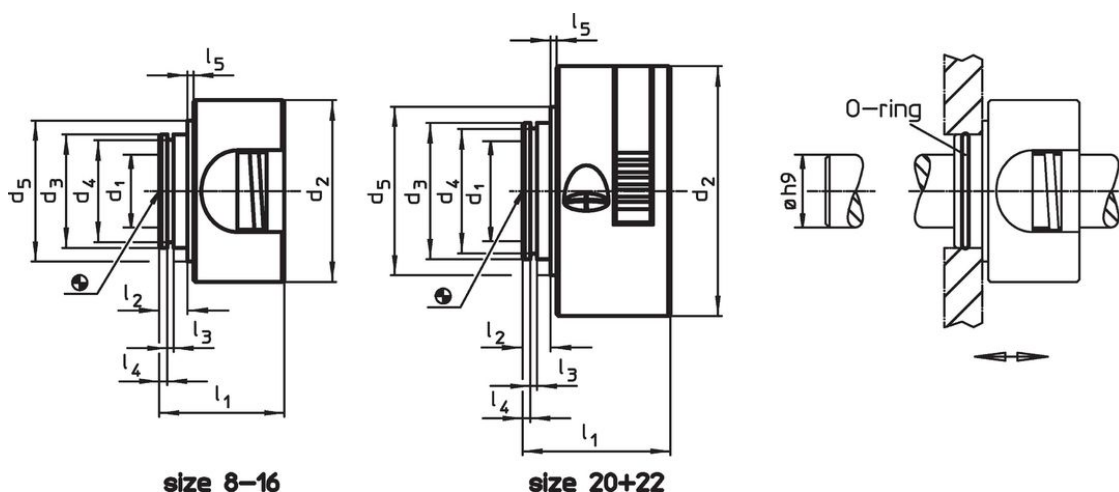
Inner parts

- Stainless steel

O-ring

- NBR


Drawing



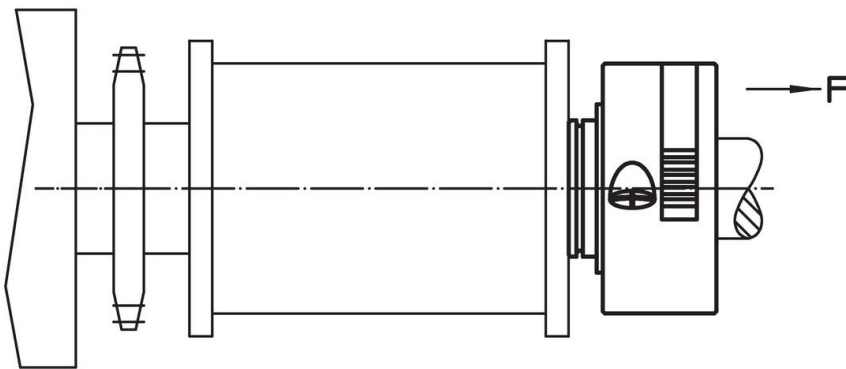
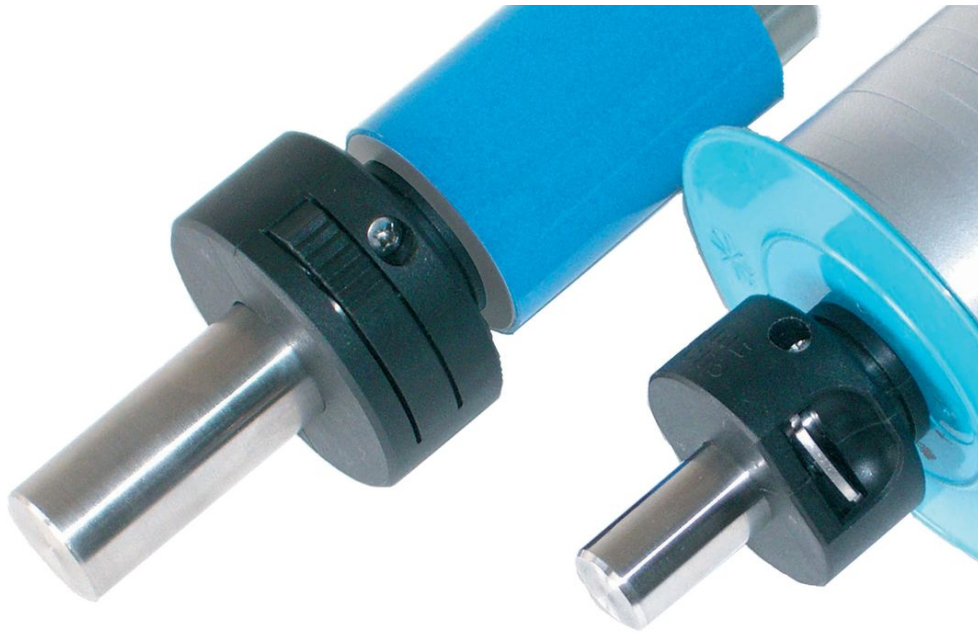
Order information

Dimensions										F	🌡️	📦	Art. No.
d ₁ +0.1	d ₂	d ₃	d ₄	d ₅	l ₁	l ₂	l ₃	l ₄	l ₅	Holding force axial, one-sided [N]	max. [°C]	[g]	
[mm]													
8	40	25	22.4	31	27.5	7	1.7	3.15	0.5	250	80	31	25071.0008
10	40	25	22.4	31	27.5	7	1.7	3.15	0.5	250	80	34	25071.0010
12	40	25	22.4	31	27.5	7	1.7	3.15	0.5	350	80	30	25071.0012
15	40	25	22.4	31	27.5	7	1.7	3.15	0.5	350	80	28	25071.0015
16	40	25	22.4	31	27.5	7	1.7	3.15	0.5	380	80	27	25071.0016
20	55	30	27.4	37	32.5	7	1.7	2.65	0.5	320	80	51	25071.0020
22	55	30	27.4	37	32.5	7	1.7	2.65	0.5	320	80	49	25071.0022

Accessories

	Dimensions d [mm]	Suitable for size [mm]	📦 [g]	Art. No.
O-ring				
	22 x 1.5	8, 10, 12, 15, 16	0.2	25071.0052
	27 x 1.5	20, 22	0.2	25071.0054

Application example



Compliance

For detailed compliance information please select the desired article number.