

Clamping Nuts • self-locking

EH 25030.



Product Description

Clamping nuts are used for rotating parts, especially for reversible shafts, for example for fixing the grinding wheel. The compact construction ensures a safe function and allows quick installation using a face wrench.

Compared with other backup methods, the clamping nut has the following advantages:

- Self-locking (even with changing direction of rotation of the shaft)
- Easy installation / dismantling
- Also for repetitive clamping operations

Material

- Heat-treated steel, blackened

Assembly

The clamping nut consists of an outer and inner ring, which form a unit.

The outer ring has a conical bore, the slotted inner ring has a conical outer surface and a female thread.

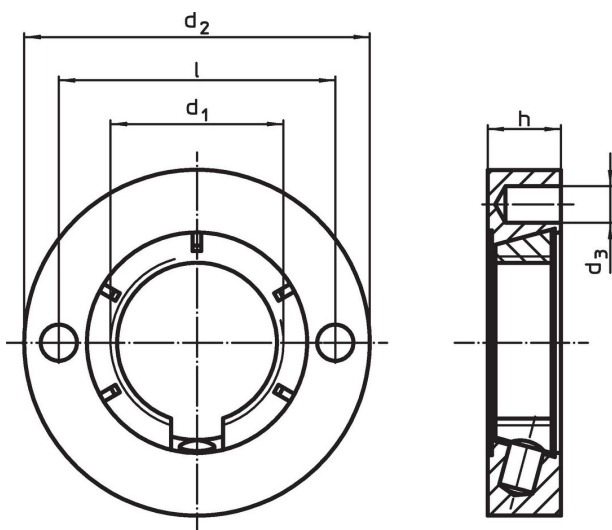
When tightening the clamping nut using a face pin wrench, the two conical surfaces move against each other. As a result, the slotted inner ring narrows like a collet. The nut clamps itself on the flanks of the thread so much, that they do not detach even with opposite axis rotation.

More information

Notes

Further dimensions on request.



Drawing



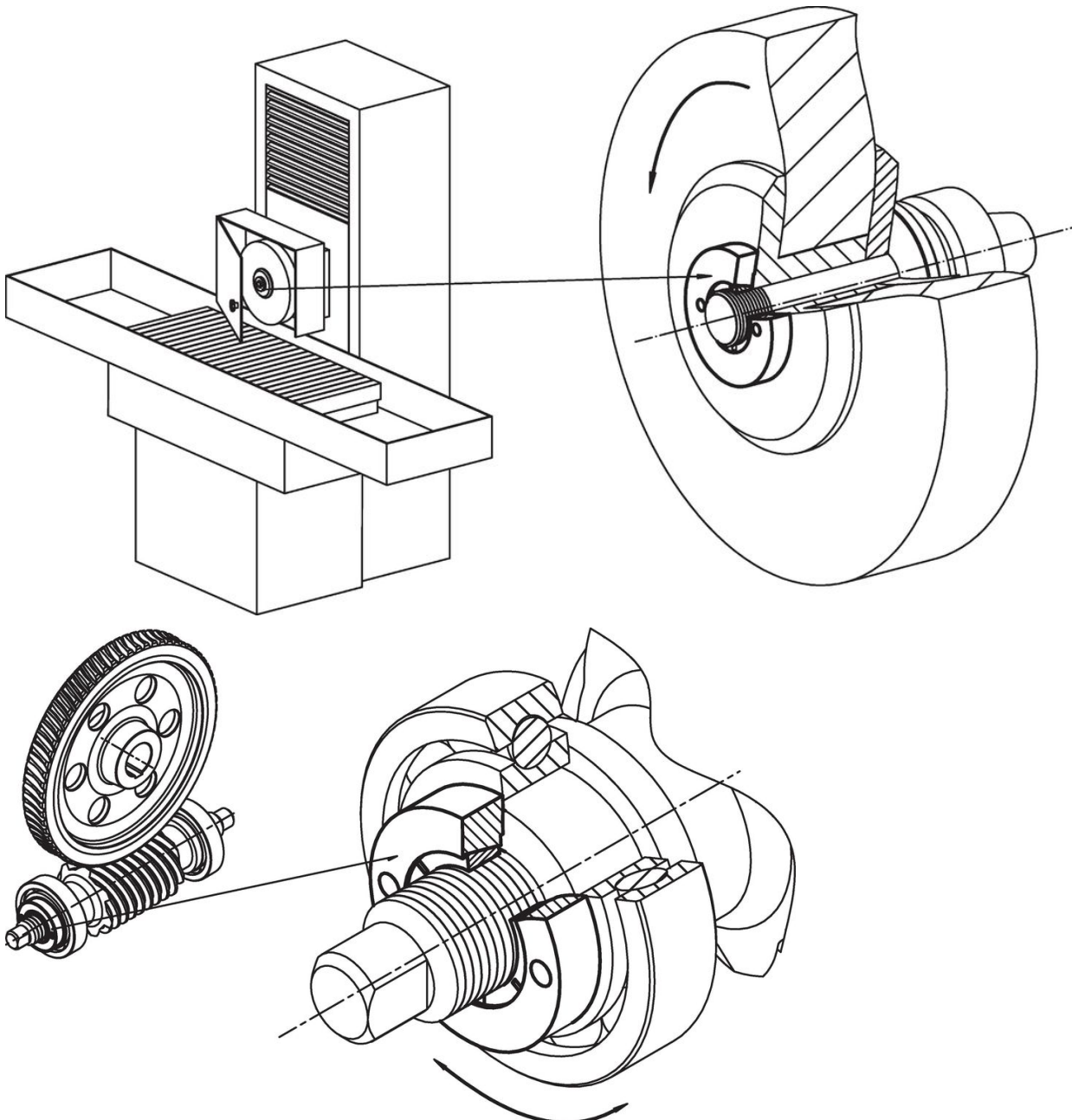
Order information

d ₁	Dimensions				[g]	Art. No.
	d ₂	d ₃	h	l		
M20 x 1,5	40	4.1	8.5	32	58	25030.0020
M20 x 1,5	50	4.1	8.5	32	104	25030.0021

Accessories

	 [g]	Art. No.
adjustable face wrench, offset		
	112	25030.0022

Application example



Compliance

For detailed compliance information please select the desired article number.