

Star Grips • plastic
EH 24750.



Product Description

Material

Cap

- Thermoplastic PA, black similar to RAL 9005
- Thermoplastic PA, white similar to RAL 9019
- Thermoplastic PA, orange similar to RAL 2004
- Thermoplastic PA, yellow similar to RAL 1016
- Thermoplastic PA, blue similar to RAL 5015

Handle

- Thermoplastic PA 6, black similar to RAL 9005

Threaded bushing

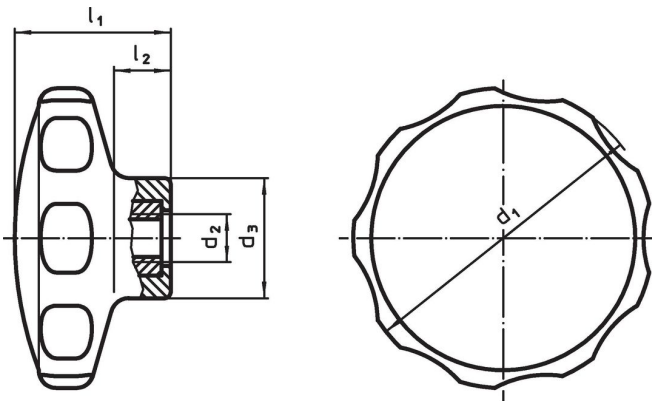
- Stainless steel

More information

Notes

Special types, e.g. differing threads, on request.

Drawing



Order information

Dimensions					Temperature		Weight	Art. No.
d ₁	d ₂	d ₃ [mm]	l ₁	l ₂	min.	max.	[g]	
					[°C]			
black								
30	M 4	14.0	19	7	-30	80	5.5	24750.0030
30	M 5	14.0	19	7	-30	80	5.7	24750.0035
40	M 5	16.5	22	9	-30	80	8.2	24750.0040
40	M 6	16.5	22	9	-30	80	9.5	24750.0045
50	M 6	22.0	26	10	-30	80	16.0	24750.0050
50	M 8	22.0	26	10	-30	80	19.0	24750.0055
62	M 8	22.0	35	13	-30	80	30.0	24750.0060
62	M10	22.0	35	13	-30	80	39.0	24750.0065
white								
30	M 4	14.0	19	7	-30	80	5.5	24750.0031
30	M 5	14.0	19	7	-30	80	5.7	24750.0036
40	M 5	16.5	22	9	-30	80	8.2	24750.0041
40	M 6	16.5	22	9	-30	80	9.5	24750.0046
50	M 6	22.0	26	10	-30	80	16.0	24750.0051
50	M 8	22.0	26	10	-30	80	19.0	24750.0056
62	M 8	22.0	35	13	-30	80	30.0	24750.0061
62	M10	22.0	35	13	-30	80	39.0	24750.0066

d ₁	d ₂	Dimensions			min.	max.	[g]	Art. No.
		d ₃ [mm]	l ₁	l ₂				
orange								
30	M 4	14.0	19	7	-30	80	5.5	24750.0032
30	M 5	14.0	19	7	-30	80	5.7	24750.0037
40	M 5	16.5	22	9	-30	80	8.2	24750.0042
40	M 6	16.5	22	9	-30	80	9.5	24750.0047
50	M 6	22.0	26	10	-30	80	16.0	24750.0052
50	M 8	22.0	26	10	-30	80	19.0	24750.0057
62	M 8	22.0	35	13	-30	80	30.0	24750.0062
62	M10	22.0	35	13	-30	80	39.0	24750.0067
yellow								
30	M 4	14.0	19	7	-30	80	5.5	24750.0033
30	M 5	14.0	19	7	-30	80	5.7	24750.0038
40	M 5	16.5	22	9	-30	80	8.2	24750.0043
40	M 6	16.5	22	9	-30	80	9.5	24750.0048
50	M 6	22.0	26	10	-30	80	16.0	24750.0053
50	M 8	22.0	26	10	-30	80	19.0	24750.0058
62	M 8	22.0	35	13	-30	80	30.0	24750.0063
62	M10	22.0	35	13	-30	80	39.0	24750.0068
blue								
30	M 4	14.0	19	7	-30	80	5.5	24750.0034
30	M 5	14.0	19	7	-30	80	5.7	24750.0039
40	M 5	16.5	22	9	-30	80	8.2	24750.0044
40	M 6	16.5	22	9	-30	80	9.5	24750.0049
50	M 6	22.0	26	10	-30	80	16.0	24750.0054
50	M 8	22.0	26	10	-30	80	19.0	24750.0059
62	M 8	22.0	35	13	-30	80	30.0	24750.0064
62	M10	22.0	35	13	-30	80	39.0	24750.0069

Compliance

RoHS compliant

Compliant according to Directive 2011/65/EU and Directive 2015/863.

Does not contain SVHC substances

No SVHC substances with more than 0.1% w/w contained - SVHC list [REACH] as of 23.01.2024.

Does not contain Proposition 65 substances

No Proposition 65 substances included.

<https://www.P65Warnings.ca.gov/>

Free from Conflict Minerals

This product does not contain any substances designated as "conflict minerals" such as tantalum, tin, gold or tungsten from the Democratic Republic of Congo or adjacent countries.