

Star Grips • DIN 6336 plastic
EH 24670.



Product Description

Material

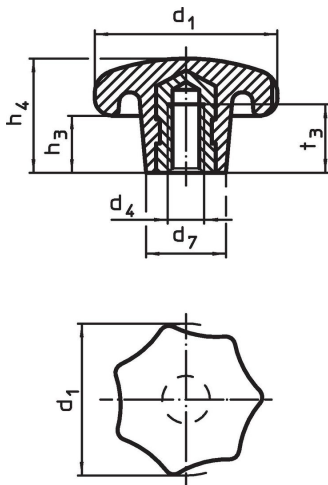
Bushing

- Brass
- Steel, zinc-plated by galvanization
- Stainless steel A2

Handle

- Thermosetting plastic PF 31, black similar to RAL 9005

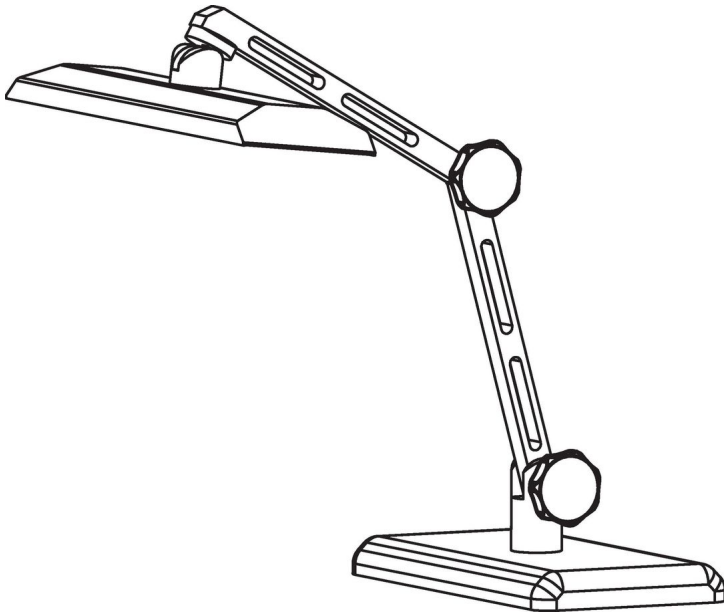
Drawing



Order information

Dimensions						max. [°C]	[g]	Art. No.
d ₁	d ₄	d ₇	h ₃	h ₄	t ₃			
with threaded bushing, form K, Brass								
20	M 4	10	7	13	6.5	110	3.4	24670.0220
with threaded bushing, form K, Steel								
25	M 5	12	8	16	9.5	110	7.4	24670.0225
32	M 6	14	10	20	12.0	110	13.0	24670.0232
40	M 8	18	13	25	14.0	110	20.0	24670.0240
50	M10	22	17	32	18.0	110	40.0	24670.0250
63	M12	26	21	40	22.0	110	83.0	24670.0263
80	M16	35	25	50	30.0	110	161.0	24670.0280
with threaded bushing, form K, Stainless steel								
25	M 5	12	8	16	9.5	110	7.4	24670.1225
32	M 6	14	10	20	12.0	110	13.0	24670.1232
40	M 8	18	13	25	14.0	110	20.0	24670.1240
50	M10	22	17	32	18.0	110	40.0	24670.1250
63	M12	26	21	40	22.0	110	83.0	24670.1263
80	M16	35	25	50	30.0	110	161.0	24670.1280

Application example



Compliance

RoHS compliant

Compliant according to Directive 2011/65/EU and Directive 2015/863.

Does not contain SVHC substances

No SVHC substances with more than 0.1% w/w contained - SVHC list [REACH] as of 27.06.2024.

Does not contain Proposition 65 substances

No Proposition 65 substances included.

<https://www.P65Warnings.ca.gov/>

Free from Conflict Minerals

This product does not contain any substances designated as "conflict minerals" such as tantalum, tin, gold or tungsten from the Democratic Republic of Congo or adjacent countries.