

Star Grips • DIN 6336 light metal
EH 24660.



Product Description

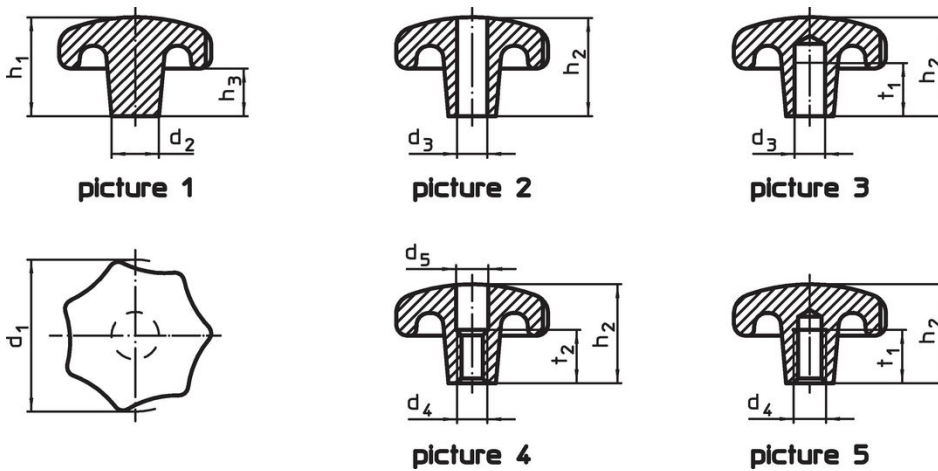
These star grips are manufactured according to DIN 6336.

Material

Handle

- Light metal Al, unpolished
- Light metal Al, polished

Drawing



Order information

d ₁	d ₂	d ₃ H7	d ₄	Dimensions						[g]	Art. No.
				d ₅	h ₁	h ₂	h ₃	t ₁ min.	t ₂		
[mm]											
raw part, form A – picture 1, unpolished											
40	14	–	–	–	26	–	13	–	–	36	24660.0040
50	18	–	–	–	34	–	17	–	–	70	24660.0050
63	20	–	–	–	42	–	21	–	–	128	24660.0063
80	25	–	–	–	52	–	25	–	–	245	24660.0080
with smooth blind hole, form C – picture 3, unpolished											
40	14	8	–	–	–	25	–	15	–	30	24660.0240
50	18	10	–	–	–	32	–	18	–	63	24660.0250
63	20	12	–	–	–	40	–	22	–	117	24660.0263
80	25	16	–	–	–	50	–	28	–	223	24660.0280
with thread, drilled out, form D – picture 4, unpolished											
40	14	–	M 8	8.4	–	25	–	–	13	32	24660.0340
50	18	–	M10	10.5	–	32	–	–	16	62	24660.0350
63	20	–	M12	13.0	–	40	–	–	20	109	24660.0363
80	25	–	M16	17.0	–	50	–	–	20	218	24660.0380
with threaded blind hole, form E – picture 5, unpolished											
40	14	–	M 8	–	–	25	–	15	–	33	24660.0440
50	18	–	M10	–	–	32	–	18	–	63	24660.0450
63	20	–	M12	–	–	40	–	22	–	118	24660.0463
80	25	–	M16	–	–	50	–	28	–	227	24660.0480

d ₁	d ₂	d ₃ H7	d ₄	Dimensions						[g]	Art. No.
				d ₅ [mm]	h ₁	h ₂	h ₃	t ₁ min.	t ₂		
with smooth blind hole, form C – picture 3, polished											
40	14	8	–	–	–	25	–	15	–	30	24660.0640
50	18	10	–	–	–	32	–	18	–	63	24660.0650
63	20	12	–	–	–	40	–	22	–	117	24660.0663
80	25	16	–	–	–	50	–	28	–	223	24660.0680
with thread, drilled out, form D – picture 4, polished											
40	14	–	M 8	8.4	–	25	–	–	13	32	24660.0740
50	18	–	M10	10.5	–	32	–	–	16	62	24660.0750
63	20	–	M12	13.0	–	40	–	–	20	109	24660.0763
80	25	–	M16	17.0	–	50	–	–	20	218	24660.0780
with threaded blind hole, form E – picture 5, polished											
40	14	–	M 8	–	–	25	–	15	–	33	24660.0840
50	18	–	M10	–	–	32	–	18	–	63	24660.0850
63	20	–	M12	–	–	40	–	22	–	118	24660.0863
80	25	–	M16	–	–	50	–	28	–	227	24660.0880

Compliance

RoHS compliant

Contains lead - compliant according to exceptions 6a / 6b / 6c.

Contains SVHC substances >0,1% w/w

Contains lead - SVHC list [REACH] as of 27.06.2024.

Contains Proposition 65 substances



Lead can cause cancer and reproductive harm from exposure
<https://www.P65Warnings.ca.gov/>

Free from Conflict Minerals

This product does not contain any substances designated as "conflict minerals" such as tantalum, tin, gold or tungsten from the Democratic Republic of Congo or adjacent countries.