

Palm Grips • similar to DIN 6335, stainless steel A4
EH 24631.



Product Description

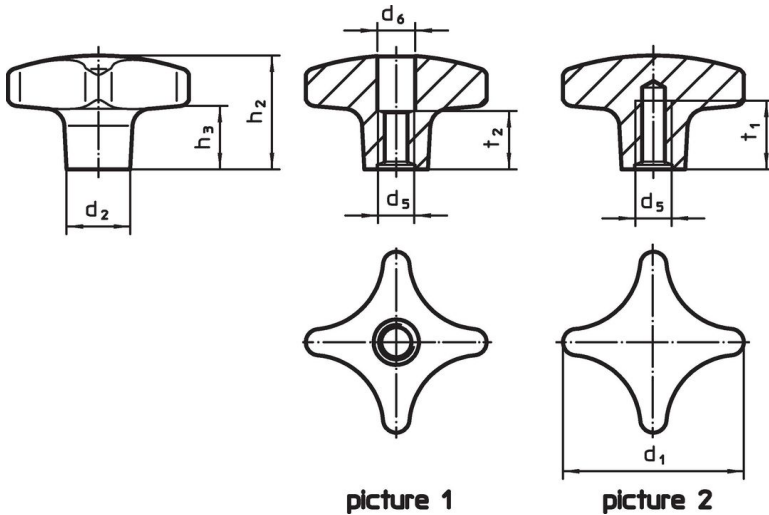
Version without dirt trap. Convenient for all applications having high hygienic requirements (e.g. food industry).
The stainless steel A4 version ensures maximum corrosion resistance.

Material

Handle

- Stainless steel A4, polished

Drawing



Order information

d ₁	d ₂	d ₅	Dimensions					[g]	Art. No.
			d ₆	h ₂	h ₃	t ₁ min.	t ₂		
[mm]									
with thread, drilled-out – picture 1									
32	12	M 6	6.4	20	9	–	10	37	24631.1332
40	14	M 8	8.4	25	13	–	13	60	24631.1340
50	18	M10	10.5	32	18	–	16	110	24631.1350
63	20	M12	13.0	40	23	–	20	200	24631.1363
with threaded blind hole – picture 2									
32	12	M 6	–	20	9	12	–	39	24631.1432
40	14	M 8	–	25	13	15	–	62	24631.1440
50	18	M10	–	32	18	18	–	117	24631.1450
63	20	M12	–	40	23	22	–	213	24631.1463

Compliance

RoHS compliant

Compliant according to Directive 2011/65/EU and Directive 2015/863.

Does not contain SVHC substances

No SVHC substances with more than 0.1% w/w contained - SVHC list [REACH] as of 23.01.2024.

Does not contain Proposition 65 substances

No Proposition 65 substances included.

<https://www.P65Warnings.ca.gov/>

Free from Conflict Minerals

This product does not contain any substances designated as "conflict minerals" such as tantalum, tin, gold or tungsten from the Democratic Republic of Congo or adjacent countries.