

Palm Grips • DIN 6335 grey cast iron
EH 24620.



Product Description

These palm grips are manufactured according to DIN 6335. Sandblasted or tumbled.

Material

Handle

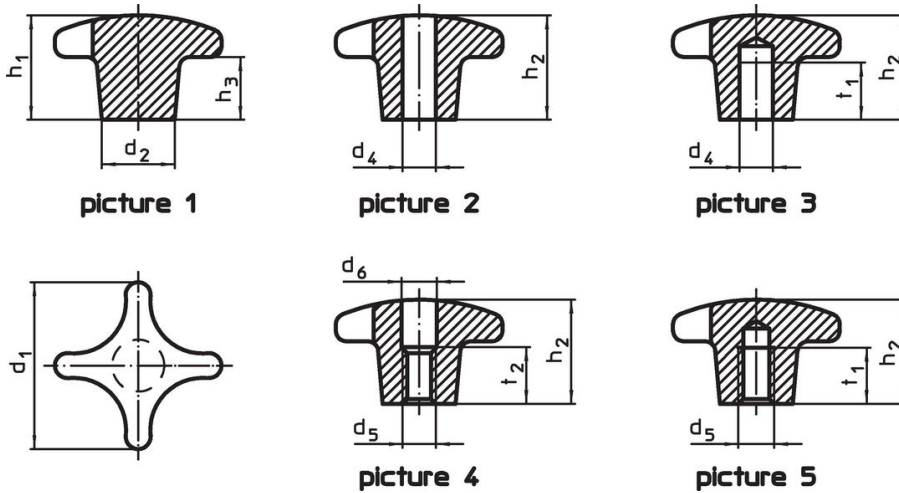
- Grey cast iron GG 20, bright

More information

Notes


Customized designs with different bores or surface treatment can be obtained on request.

Drawing



Order information

d ₁	d ₂	d ₄ H7	d ₅	Dimensions						[g]	Art. No.
				d ₆	h ₁	h ₂	h ₃	t ₁	t ₂		
[mm]											
raw part, form A – picture 1											
32	12	–	–	–	21	–	10	–	–	38	24620.0032
40	14	–	–	–	26	–	14	–	–	69	24620.0040
50	18	–	–	–	34	–	20	–	–	115	24620.0050
63	20	–	–	–	42	–	25	–	–	224	24620.0063
80	25	–	–	–	52	–	30	–	–	415	24620.0080
100	32	–	–	–	65	–	38	–	–	855	24620.0090
with smooth throughgoing bore, form B – picture 2											
32	12	6	–	–	–	20	–	–	–	34	24620.0132
40	14	8	–	–	–	25	–	–	–	59	24620.0140
50	18	10	–	–	–	32	–	–	–	95	24620.0150
63	20	12	–	–	–	40	–	–	–	171	24620.0163
80	25	16	–	–	–	50	–	–	–	338	24620.0180
100	32	20	–	–	–	63	–	–	–	709	24620.0190
with smooth blind hole, form C – picture 3											
32	12	6	–	–	–	20	–	12	–	36	24620.0232
40	14	8	–	–	–	25	–	15	–	61	24620.0240
50	18	10	–	–	–	32	–	18	–	99	24620.0250
63	20	12	–	–	–	40	–	22	–	195	24620.0263
80	25	16	–	–	–	50	–	28	–	380	24620.0280
100	32	20	–	–	–	63	–	36	–	648	24620.0290

d ₁	d ₂	d ₄ H7	d ₅	Dimensions							Art. No.	
				d ₆	h ₁	h ₂	h ₃	t ₁	t ₂			
											[g]	
with thread, drilled out, form D – picture 4												
32	12	–	M 6	6.4	–	20	–	–	–	10	34	24620.0332
40	14	–	M 8	8.4	–	25	–	–	–	13	188	24620.0340
50	18	–	M10	10.5	–	32	–	–	–	16	97	24620.0350
63	20	–	M12	13.0	–	40	–	–	–	20	186	24620.0363
80	25	–	M16	17.0	–	50	–	–	–	20	339	24620.0380
100	32	–	M20	21.0	–	63	–	–	–	25	673	24620.0390
with threaded blind hole, form E – picture 5												
32	12	–	M 6	–	–	20	–	12	–	–	35	24620.0432
40	14	–	M 8	–	–	25	–	15	–	–	56	24620.0440
50	18	–	M10	–	–	32	–	18	–	–	104	24620.0450
63	20	–	M12	–	–	40	–	22	–	–	199	24620.0463
80	25	–	M16	–	–	50	–	28	–	–	363	24620.0480
100	32	–	M20	–	–	63	–	36	–	–	725	24620.0490

Compliance

RoHS compliant

Compliant according to Directive 2011/65/EU and Directive 2015/863.

Does not contain SVHC substances

No SVHC substances with more than 0.1% w/w contained - SVHC list [REACH] as of 27.06.2024.

Does not contain Proposition 65 substances

No Proposition 65 substances included.

<https://www.P65Warnings.ca.gov/>

Free from Conflict Minerals

This product does not contain any substances designated as "conflict minerals" such as tantalum, tin, gold or tungsten from the Democratic Republic of Congo or adjacent countries.