

Handwheels • DIN 950 light metal

EH 24590.



Product Description

Hub machined; rim turned and mirror-finished on all sides, non-machined surfaces cleanly blasted.

Material

Handwheel

- Light metal Al

Machine handle DIN 39 EH 24450.

- Steel, turned, zinc-plated by galvanization, passivated

Machine handle DIN 98 EH 24460. rotating

- Steel, turned, zinc-plated by galvanization, passivated

Assembly

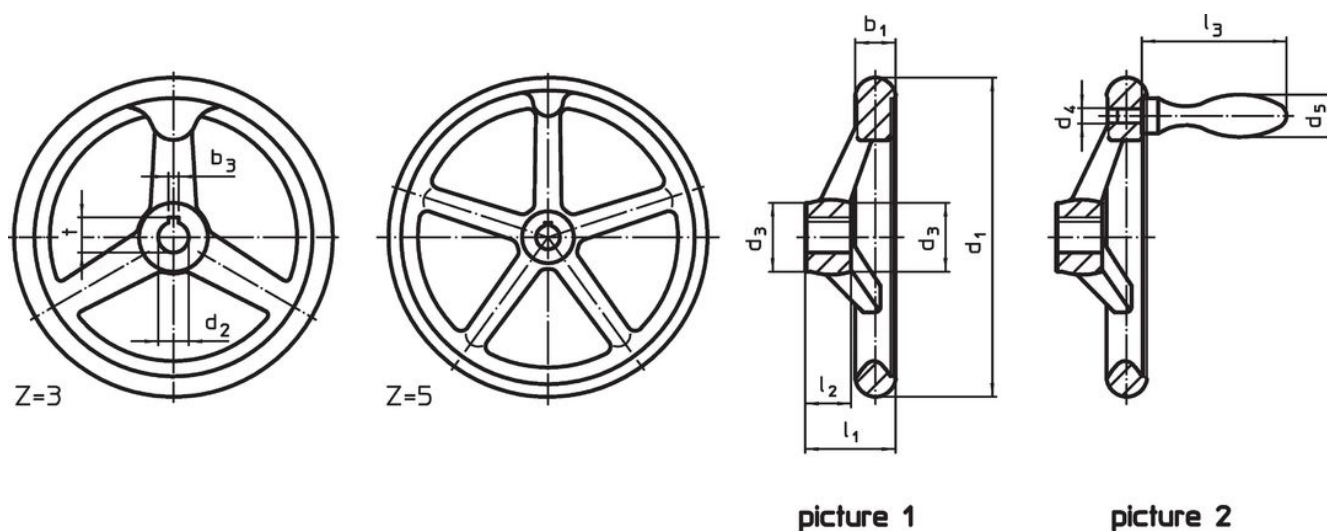
Shaft-end washers EH 22270. for axial fastening.

More information

Further products

- Shaft-End Washers
- Rotating Machine Handles, DIN 98


Drawing




The orientation of the hub keyway may be different than shown in the drawing.

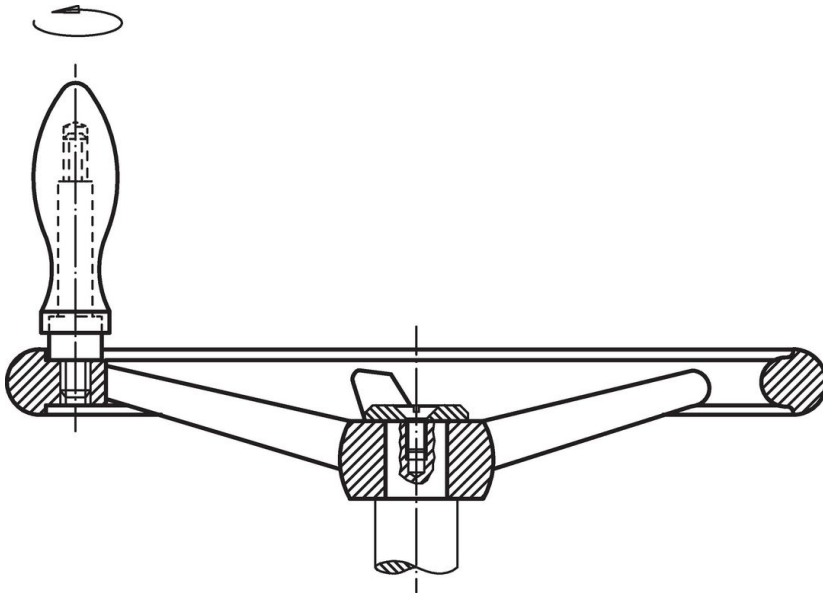
Order information

Dimensions								Hub keyway, DIN 6885 sheet 1		Number of spokes z	Corresponding machine handle DIN 39 / DIN 98	[g]	Art. No.
d ₁	d ₂ H7	d ₃	d ₄	d ₅	l ₁ ~	l ₂ ~	l ₃ ~	b ₃	t				
[mm]								[mm]		[mm]	[g]		
without hub keyway, without handle, form B-F/A (formerly: A 4) – picture 1													
80	10	24	–	–	29	16	–	–	–	3	–	129	24590.0000
80	12	24	–	–	29	16	–	–	–	3	–	128	24590.0001
100	10	26	–	–	33	17	–	–	–	3	–	207	24590.0005
100	12	26	–	–	33	17	–	–	–	3	–	205	24590.0006
125	12	28	–	–	36	18	–	–	–	3	–	292	24590.0010
125	14	28	–	–	36	18	–	–	–	3	–	298	24590.0011
140	14	30	–	–	39	19	–	–	–	3	–	394	24590.0015
140	16	30	–	–	39	19	–	–	–	3	–	363	24590.0016
160	14	32	–	–	40	20	–	–	–	3	–	480	24590.0020
160	16	32	–	–	40	20	–	–	–	3	–	471	24590.0021
200	18	38	–	–	45	24	–	–	–	3	–	783	24590.0030
200	22	38	–	–	45	24	–	–	–	3	–	770	24590.0031
250	22	45	–	–	50	28	–	–	–	5	–	1509	24590.0040
250	26	45	–	–	50	28	–	–	–	5	–	1510	24590.0041

Dimensions								Hub keyway, DIN 6885 sheet 1		Number of spokes z	Corresponding machine handle DIN 39 / DIN 98	 [g]	Art. No.
d ₁	d ₂ H7	d ₃	d ₄	d ₅	l ₁ ~	l ₂	l ₃ ~	b ₃	t				
[mm]								[mm]					
315	26	53	–	–	56	33	–	–	–	5	–	2350	24590.0045
315	30	53	–	–	56	33	–	–	–	5	–	2314	24590.0046
400	30	65	–	–	63	38	–	–	–	5	–	3740	24590.0050
400	34	65	–	–	63	38	–	–	–	5	–	3700	24590.0051
with hub keyway, without handle, form N-F/A (formerly: A 3) – picture 1													
80	10	24	–	–	29	16	–	3	11.4	3	–	128	24590.0100
80	12	24	–	–	29	16	–	4	13.8	3	–	127	24590.0101
100	10	26	–	–	33	17	–	3	11.4	3	–	208	24590.0105
100	12	26	–	–	33	17	–	4	13.8	3	–	199	24590.0106
125	12	28	–	–	36	18	–	4	13.8	3	–	299	24590.0110
125	14	28	–	–	36	18	–	5	16.3	3	–	291	24590.0111
140	14	30	–	–	39	19	–	5	16.3	3	–	374	24590.0115
140	16	30	–	–	39	19	–	5	18.3	3	–	318	24590.0116
160	14	32	–	–	40	20	–	5	16.3	3	–	422	24590.0120
160	16	32	–	–	40	20	–	5	18.3	3	–	422	24590.0121
200	18	38	–	–	45	24	–	6	20.8	3	–	779	24590.0130
200	22	38	–	–	45	24	–	6	24.8	3	–	758	24590.0131
250	22	45	–	–	50	28	–	6	24.8	5	–	1441	24590.0140
250	26	45	–	–	50	28	–	8	29.3	5	–	1472	24590.0141
315	26	53	–	–	56	33	–	8	29.3	5	–	2500	24590.0145
315	30	53	–	–	56	33	–	8	33.3	5	–	2304	24590.0146
400	30	65	–	–	63	38	–	8	33.3	5	–	3600	24590.0150
400	34	65	–	–	63	38	–	10	37.3	5	–	4725	24590.0151
without hub keyway, with rotating handle EH 24460., assembled form B-F/G (formerly D 4) – picture 2													
80	10	24	M 6	16	29	16	49	–	–	3	16	150	24590.0200
80	12	24	M 6	16	29	16	49	–	–	3	16	150	24590.0201
100	10	26	M 6	16	33	17	49	–	–	3	16	210	24590.0205
100	12	26	M 6	16	33	17	49	–	–	3	16	220	24590.0206
125	12	28	M 8	20	36	18	61	–	–	3	20	340	24590.0210
125	14	28	M 8	20	36	18	61	–	–	3	20	340	24590.0211
140	14	30	M 8	20	39	19	61	–	–	3	20	430	24590.0215
140	16	30	M 8	20	39	19	61	–	–	3	20	430	24590.0216
160	14	32	M10	25	40	20	75	–	–	3	25	615	24590.0220
160	16	32	M10	25	40	20	75	–	–	3	25	615	24590.0221
200	18	38	M10	25	45	24	75	–	–	3	25	970	24590.0230
200	22	38	M10	25	45	24	75	–	–	3	25	970	24590.0231
250	22	45	M12	32	50	28	95	–	–	5	32	1885	24590.0240
250	26	45	M12	32	50	28	95	–	–	5	32	1885	24590.0241
315	26	53	M12	32	56	33	95	–	–	5	32	2737	24590.0245
315	30	53	M12	32	56	33	95	–	–	5	32	2701	24590.0246
400	30	65	M16	36	63	38	106	–	–	5	36	4250	24590.0250
400	34	65	M16	36	63	38	106	–	–	5	36	4250	24590.0251
with hub keyway, with rotating handle EH 24460. assembled, form N-F/G (formerly: D 3) – picture 2													
80	10	24	M 6	16	29	16	49	3	11.4	3	16	150	24590.0300
80	12	24	M 6	16	29	16	49	4	13.8	3	16	150	24590.0301
100	10	26	M 6	16	33	17	49	3	11.4	3	16	210	24590.0305
100	12	26	M 6	16	33	17	49	4	13.8	3	16	210	24590.0306
125	12	28	M 8	20	36	18	61	4	13.8	3	20	340	24590.0310
125	14	28	M 8	20	36	18	61	5	16.3	3	20	340	24590.0311
140	14	30	M 8	20	39	19	61	5	16.3	3	20	456	24590.0315
140	16	30	M 8	20	39	19	61	5	18.3	3	20	430	24590.0316
160	14	32	M10	25	40	20	75	5	16.3	3	25	615	24590.0320
160	16	32	M10	25	40	20	75	5	18.3	3	25	615	24590.0321
200	18	38	M10	25	45	24	75	6	20.8	3	25	970	24590.0330
200	22	38	M10	25	45	24	75	6	24.8	3	25	970	24590.0331
250	22	45	M12	32	50	28	95	6	24.8	5	32	1885	24590.0340
250	26	45	M12	32	50	28	95	8	29.3	5	32	1885	24590.0341

Dimensions								Hub keyway, DIN 6885 sheet 1		Number of spokes z	Corresponding machine handle DIN 39 / DIN 98		Art. No.
d ₁	d ₂ H7	d ₃	d ₄	d ₅	l ₁ ~	l ₂	l ₃ ~	b ₃	t				
[mm]								[mm]					
315	26	53	M12	32	56	33	95	8	29.3	5	32	2885	24590.0345
315	30	53	M12	32	56	33	95	8	33.3	5	32	2885	24590.0346
400	30	65	M16	36	63	38	106	8	33.3	5	36	4250	24590.0350
400	34	65	M16	36	63	38	106	10	37.3	5	36	4250	24590.0351
without hub keyway, with machine handle EH 24450., assembled, form B-F/G (formerly: F 4) – picture 2													
80	10	24	M 6	16	29	16	50	–	–	3	16	150	24590.0400
80	12	24	M 6	16	29	16	50	–	–	3	16	150	24590.0401
100	10	26	M 6	16	33	17	50	–	–	3	16	210	24590.0405
100	12	26	M 6	16	33	17	50	–	–	3	16	210	24590.0406
125	12	28	M 8	20	36	18	64	–	–	3	20	340	24590.0410
125	14	28	M 8	20	36	18	64	–	–	3	20	340	24590.0411
140	14	30	M 8	20	39	19	64	–	–	3	20	420	24590.0415
140	16	30	M 8	20	39	19	64	–	–	3	20	420	24590.0416
160	14	32	M10	25	40	20	80	–	–	3	25	615	24590.0420
160	16	32	M10	25	40	20	80	–	–	3	25	615	24590.0421
200	18	38	M10	25	45	24	80	–	–	3	25	970	24590.0430
200	22	38	M10	25	45	24	80	–	–	3	25	970	24590.0431
250	22	45	M12	32	50	28	100	–	–	5	32	1860	24590.0440
250	26	45	M12	32	50	28	100	–	–	5	32	1860	24590.0441
315	26	53	M12	32	56	33	100	–	–	5	32	2860	24590.0445
315	30	53	M12	32	56	33	100	–	–	5	32	2860	24590.0446
400	30	65	M16	36	63	38	112	–	–	5	36	4210	24590.0450
400	34	65	M16	36	63	38	112	–	–	5	36	4210	24590.0451
with hub keyway, with machine handle EH 24450. assembled, form N-F/G (formerly: F 3) – picture 2													
80	10	24	M 6	16	29	16	50	3	11.4	3	16	150	24590.0500
80	12	24	M 6	16	29	16	50	4	13.8	3	16	150	24590.0501
100	10	26	M 6	16	33	17	50	3	11.4	3	16	210	24590.0505
100	12	26	M 6	16	33	17	50	4	13.8	3	16	210	24590.0506
125	12	28	M 8	20	36	18	64	4	13.8	3	20	330	24590.0510
125	14	28	M 8	20	36	18	64	5	16.3	3	20	330	24590.0511
140	14	30	M 8	20	39	19	64	5	16.3	3	20	420	24590.0515
140	16	30	M 8	20	39	19	64	5	18.3	3	20	420	24590.0516
160	14	32	M10	25	40	20	80	5	16.3	3	25	610	24590.0520
160	16	32	M10	25	40	20	80	5	18.3	3	25	610	24590.0521
200	18	38	M10	25	45	24	80	6	20.8	3	25	960	24590.0530
200	22	38	M10	25	45	24	80	6	24.8	3	25	960	24590.0531
250	22	45	M12	32	50	28	100	6	24.8	5	32	1860	24590.0540
250	26	45	M12	32	50	28	100	8	29.3	5	32	1860	24590.0541
315	26	53	M12	32	56	33	100	8	29.3	5	32	2860	24590.0545
315	30	53	M12	32	56	33	100	8	33.3	5	32	2860	24590.0546
400	30	65	M16	36	63	38	112	8	33.3	5	36	4210	24590.0550
400	34	65	M16	36	63	38	112	10	37.3	5	36	4210	24590.0551

Application example



Compliance

For detailed compliance information please select the desired article number.