

Disc-Type Handwheels • DIN 3670

EH 24570.



Product Description

There are gripping indentations on the rear sides.
Hub machined; rim turned and mirror-finished on all sides, non-machined surfaces cleanly blasted.

Material

Handwheel

- Aluminium permanent-mould casting

Assembly

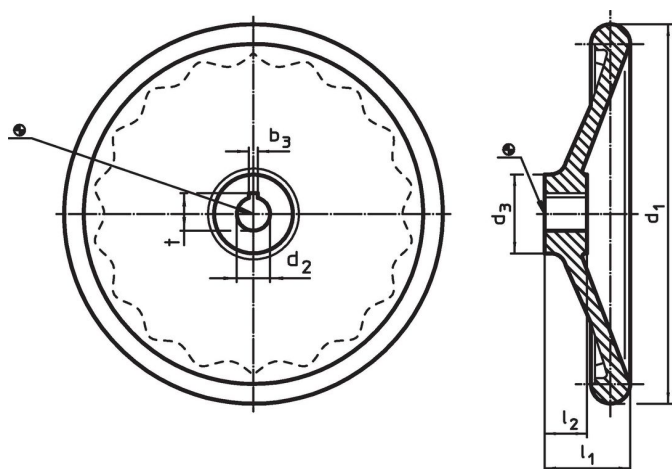
Shaft-end washers EH 22270. for axial fastening.

More information

Further products

- Shaft-End Washers

Drawing



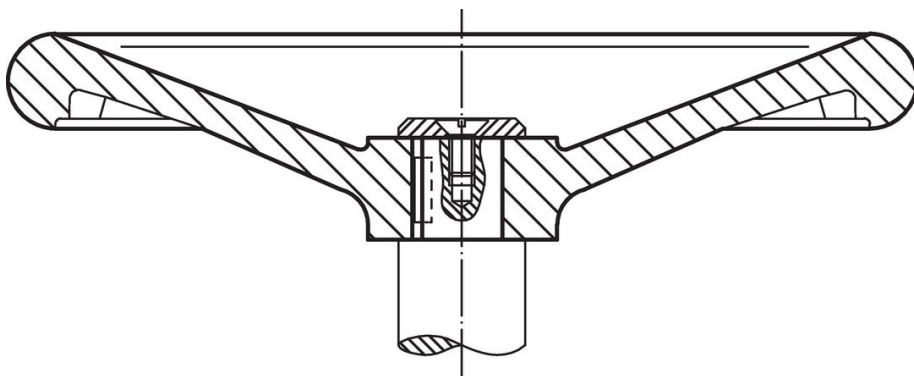
The orientation of the hub keyway may be different than shown in the drawing.

Order information

d ₁	Dimensions				Hub keyway, DIN 6885 sheet 1		[g]	Art. No.
	d ₂ H7	d ₃	l ₁	l ₂	b ₃	t		
[mm]								
without steel bushing, form B, without hub keyway								
80	10	26	29	16	–	–	119	24570.0103
80	12	26	29	16	–	–	116	24570.0104
100	10	28	33	17	–	–	194	24570.0105
100	12	28	33	17	–	–	189	24570.0106
125	12	31	36	18	–	–	288	24570.0110
125	14	31	36	18	–	–	284	24570.0111
160	14	36	40	20	–	–	477	24570.0120
160	16	36	40	20	–	–	501	24570.0121
200	18	42	45	24	–	–	955	24570.0130
200	22	42	45	24	–	–	940	24570.0131
250	22	48	50	28	–	–	1685	24570.0140
250	26	48	50	28	–	–	1674	24570.0141
315	26	56	56	33	–	–	2710	24570.0150
315	28	56	56	33	–	–	2695	24570.0151
400	30	65	63	38	–	–	4720	24570.0160
400	32	65	63	38	–	–	5700	24570.0161
without steel bushing, form N, with hub keyway								
80	10	26	29	16	3	11.4	120	24570.0303
80	12	26	29	16	4	13.8	129	24570.0304
100	10	28	33	17	3	11.4	244	24570.0305
100	12	28	33	17	4	13.8	183	24570.0306

d ₁	d ₂ H7	Dimensions			Hub keyway, DIN 6885 sheet 1		[g]	Art. No.
		d ₃	l ₁ ~	l ₂	b ₃	t		
		[mm]			[mm]			
125	12	31	36	18	4	13.8	250	24570.0310
125	14	31	36	18	5	16.3	290	24570.0311
160	14	36	40	20	5	16.3	491	24570.0320
160	16	36	40	20	5	18.3	481	24570.0321
200	18	42	45	24	6	20.8	880	24570.0330
200	22	42	45	24	6	24.8	928	24570.0331
250	22	48	50	28	6	24.8	1681	24570.0340
250	26	48	50	28	8	29.3	1670	24570.0341
315	26	56	56	33	8	29.3	2700	24570.0350
315	28	56	56	33	8	31.3	2670	24570.0351
400	30	65	63	38	8	33.3	4771	24570.0360
400	32	65	63	38	10	35.3	4720	24570.0361

Application example



Compliance

RoHS compliant

Contains lead - compliant according to exceptions 6a / 6b / 6c.

Contains SVHC substances >0,1% w/w

Contains lead - SVHC list [REACH] as of 23.01.2024.

Contains Proposition 65 substances



Lead can cause cancer and reproductive harm from exposure
<https://www.P65Warnings.ca.gov/>

Free from Conflict Minerals

This product does not contain any substances designated as "conflict minerals" such as tantalum, tin, gold or tungsten from the Democratic Republic of Congo or adjacent countries.