

Folding Handles • rotating

EH 24532.



Product Description

Material

Axle part

- Steel, blackened
- Stainless steel 1.4305

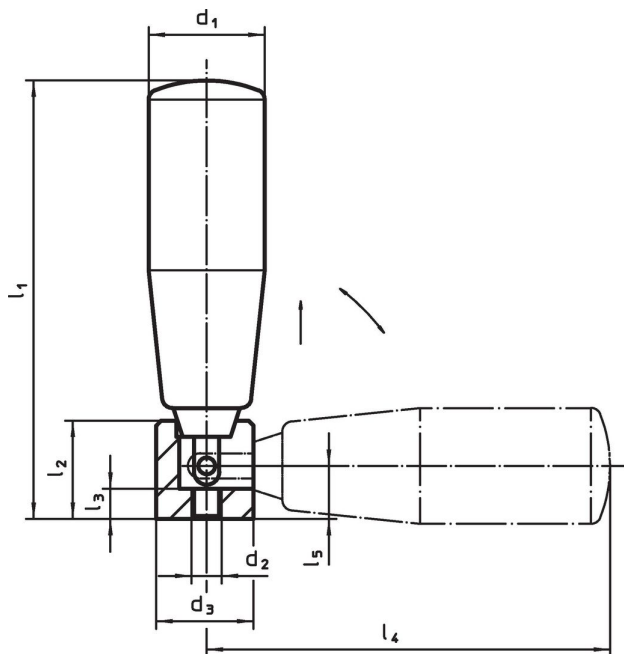
Handle

- Thermoplastic, black, dull

Operation

In the operating position the handle is locked. To move the handle to the rest position, it must be pulled out axially and flipped round.

Drawing



Order information

Dimensions									max. [°C]	[g]	Art. No.
d ₁	d ₂	d ₃	l ₁	l ₂	l ₃	l ₄	l ₅	[mm]			
Steel											
18	M5	16	57	15.0	5	52	9.5	110	53	24532.0018	
21	M5	16	67	15.0	5	62	9.5	110	63	24532.0021	
22	M5	16	73	15.0	5	68	9.5	110	67	24532.0022	
23	M6	20	87	19.5	6	80	10.5	110	111	24532.0023	
26	M6	20	102	19.5	6	95	10.5	110	137	24532.0026	
28	M8	26	118	26.0	10	106	16.0	110	225	24532.0028	
Stainless steel											
23	M6	20	87	19.5	6	80	10.5	110	111	24532.0123	
26	M6	20	102	19.5	6	95	10.5	110	137	24532.0126	
28	M8	26	118	26.0	10	106	16.0	110	225	24532.0128	

Compliance

For detailed compliance information please select the desired article number.