

Tension Levers

EH 24430.



Product Description

Material

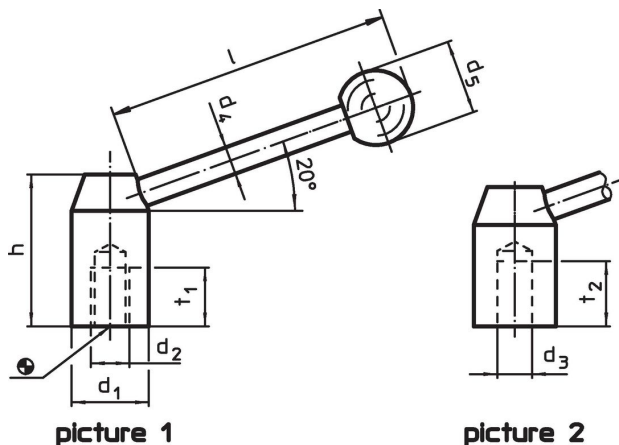
Lever

- Steel, blackened
- Stainless steel 1.4305, dull blasted

Ball knob

- Thermosetting plastic PF 31, black, DIN 319

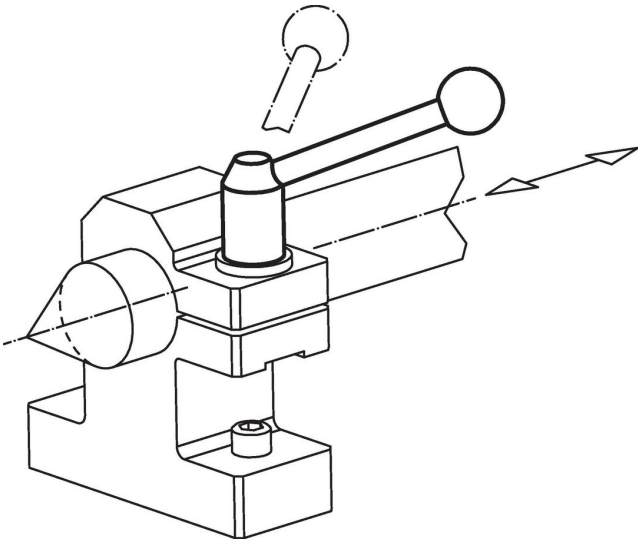
Drawing



Order information

Dimensions										Art. No.
d ₁	d ₂	d ₃ H7	d ₄	d ₅	h	l	t ₁	t ₂	[g]	
[mm]										
with female thread – picture 1, Steel										
20	M 8	–	8	20	33	67	15	–	97	24430.0022
22	M10	–	8	20	37	85	15	–	115	24430.0032
25	M12	–	10	25	42	95	18	–	165	24430.0038
28	M12	–	12	30	47	108	18	–	262	24430.0042
32	M16	–	12	32	52	126	23	–	354	24430.0048
36	M16	–	14	35	58	138	24	–	519	24430.0052
40	M20	–	16	40	64	154	27	–	708	24430.0058
with smooth bore – picture 2, Steel										
20	–	10	8	20	33	67	–	16	85	24430.0020
22	–	10	8	20	37	85	–	19	113	24430.0030
25	–	12	10	25	42	95	–	21	170	24430.0035
28	–	12	12	30	47	108	–	23	268	24430.0040
32	–	16	12	32	52	126	–	28	351	24430.0045
36	–	16	14	35	58	138	–	28	524	24430.0050
40	–	20	16	40	64	154	–	30	706	24430.0055
with female thread – picture 1, Stainless steel										
22	M 8	–	8	20	37	85	15	–	121	24430.0230
25	M10	–	10	25	42	95	18	–	186	24430.0236
28	M12	–	12	30	47	108	18	–	262	24430.0242
32	M16	–	12	32	52	126	23	–	354	24430.0248

Application example



Compliance

For detailed compliance information please select the desired article number.