

Adjustable Clamping Levers · with axial bearing from stainless steel, with screw

EH 24420.



Product Description

Adjustable clamping levers with rust-proof inner parts. Suitable for multiple applications, e.g. medical environments, chemical industry, and so on.

Advantages of axial bearing:

- Double clamping force with same lever size, by reducing the surface friction.
- Protection of workpiece by a fixed locating surface.
- Little setting due to higher pre-clamping force of bolt, e.g. thread.

Material

Lever

- Zinc die-cast, plastic coated, orange similar to RAL 2004, matt structure
- Zinc die-cast, plastic coated, black, similar to RAL 9005, matt structure

Inner parts

- Stainless steel

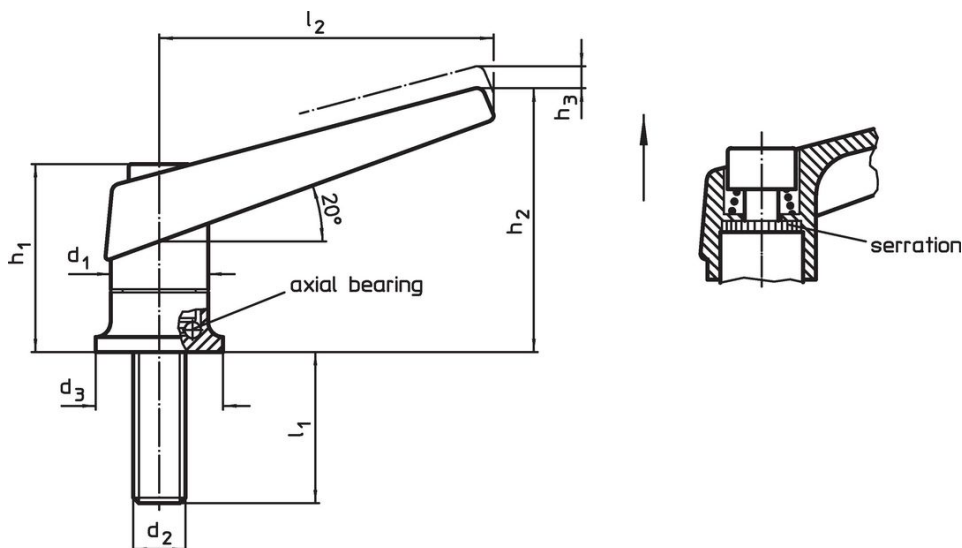
Screw

- Stainless steel

Operation

By lifting the lever the serrations are disengaged. The lever can be positioned by the serrations. On releasing the lever, the serrations are automatically re-engaged.

Drawing



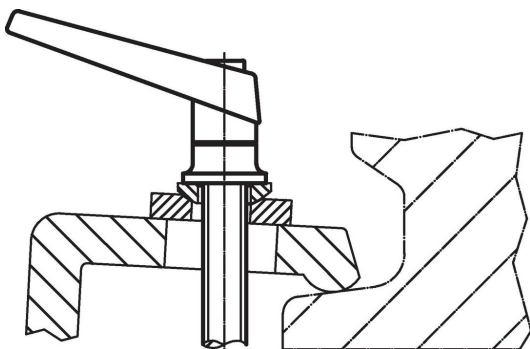
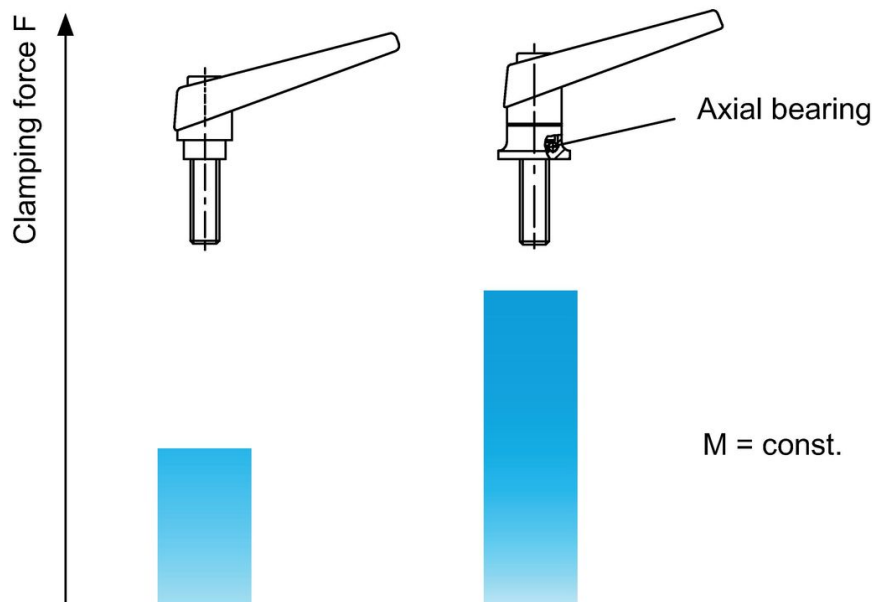
Order information

d ₁	d ₂	l ₁	d ₃	Dimensions					[g]	Art. No.
				h ₁	h ₂	h ₃	l ₂	[mm]		
orange										
18	M 6	20	24	34.5	50	3.0	62	96	24420.1030	
18	M 6	27	24	34.5	50	3.0	62	99	24420.1050	
22	M 8	21	25	39.5	56	3.5	74	148	24420.1130	
22	M 8	36	25	39.5	56	3.5	74	152	24420.1150	
25	M10	29	30	46.5	66	4.0	89	227	24420.1230	
25	M10	47	30	46.5	66	4.0	89	239	24420.1250	
30	M12	34	35	56.5	82	5.0	108	404	24420.1330	
30	M12	50	35	56.5	82	5.0	108	419	24420.1346	
30	M12	57	35	56.5	82	5.0	108	420	24420.1350	
30	M12	65	35	56.5	82	5.0	108	430	24420.1364	
30	M12	85	35	56.5	82	5.0	108	444	24420.1384	

d ₁	d ₂	l ₁	Dimensions					[g]	Art. No.
			d ₃	h ₁	h ₂	h ₃	l ₂		
[mm]									
black									
18	M 6	20	24	34.5	50	3.0	62	96	24420.1032
18	M 6	27	24	34.5	50	3.0	62	99	24420.1052
22	M 8	21	25	39.5	56	3.5	74	148	24420.1132
22	M 8	36	25	39.5	56	3.5	74	152	24420.1152
25	M10	29	30	46.5	66	4.0	89	227	24420.1232
25	M10	47	30	46.5	66	4.0	89	239	24420.1252
30	M12	34	35	56.5	82	5.0	108	404	24420.1332
30	M12	50	35	56.5	82	5.0	108	419	24420.1348
30	M12	57	35	56.5	82	5.0	108	420	24420.1352
30	M12	65	35	56.5	82	5.0	108	430	24420.1366
30	M12	85	35	56.5	82	5.0	108	444	24420.1386

Application example

Increase of clamping force with axial bearing
(while manual force is unchanged)



Compliance

RoHS compliant

Contains lead - compliant according to exceptions 6a / 6b / 6c.

Contains SVHC substances >0,1% w/w

Contains lead - SVHC list [REACH] as of 23.01.2024.

Contains Proposition 65 substances



Lead can cause cancer and reproductive harm from exposure
<https://www.P65Warnings.ca.gov/>

Free from Conflict Minerals

This product does not contain any substances designated as "conflict minerals" such as tantalum, tin, gold or tungsten from the Democratic Republic of Congo or adjacent countries.