

Adjustable Clamping Levers · with axial bearing, with screw

EH 24420.



Product Description

Adjustable clamping levers find versatile applications when the area of use is confined or a specific lever position is required.

Advantages of axial bearing:

- Double clamping force with same lever size, by reducing the surface friction.
- Protection of workpiece by a fixed locating surface.
- Little setting due to higher pre-clamping force of bolt, e.g. thread.

Material

Lever

- Zinc die-cast, plastic coated, orange similar to RAL 2004, matt structure
- Zinc die-cast, plastic coated, black, similar to RAL 9005, matt structure

Inner parts

- Steel, nitrided, blackened

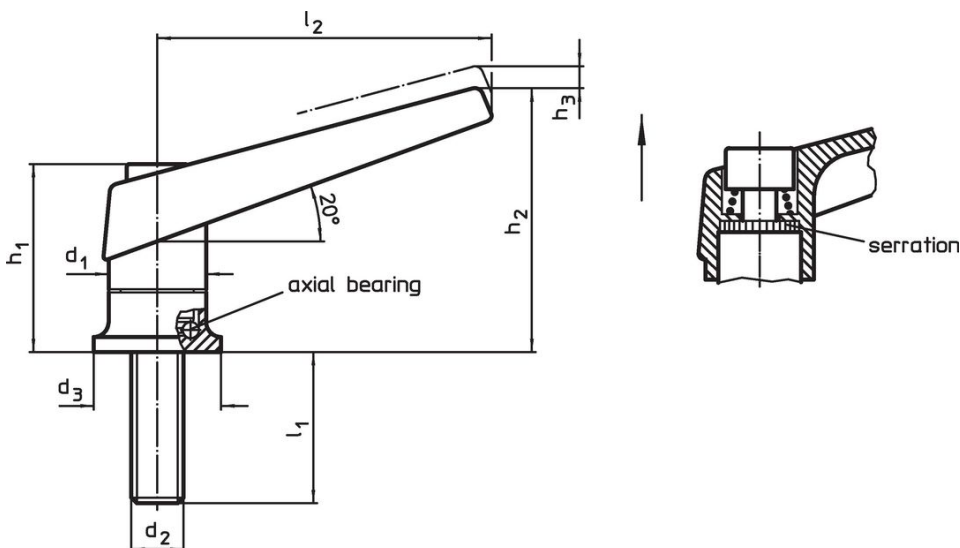
Screw

- Steel, nitrided, blackened

Operation

By lifting the lever the serrations are disengaged. The lever can be positioned by the serrations. On releasing the lever, the serrations are automatically re-engaged.

Drawing



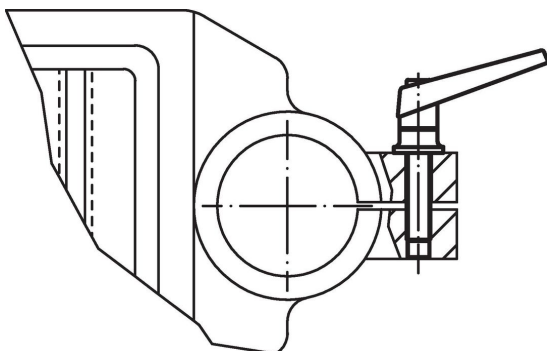
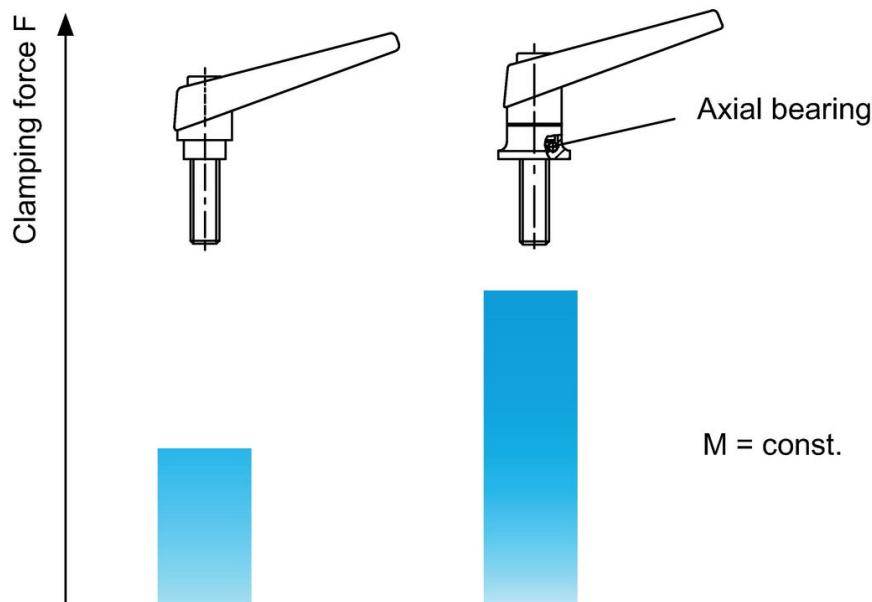
Order information

d ₁	d ₂	l ₁	d ₃	Dimensions				[g]	Art. No.
				h ₁	h ₂	h ₃	l ₂		
[mm]									
orange									
18	M 6	20	24	34.5	50	3.0	62	91	24420.0030
18	M 6	27	24	34.5	50	3.0	62	98	24420.0050
22	M 8	21	25	39.5	56	3.5	74	151	24420.0130
22	M 8	36	25	39.5	56	3.5	74	154	24420.0150
25	M10	29	30	46.5	66	4.0	89	230	24420.0230
25	M10	47	30	46.5	66	4.0	89	239	24420.0250
30	M12	34	35	56.5	82	5.0	108	407	24420.0330
30	M12	50	35	56.5	82	5.0	108	418	24420.0346
30	M12	57	35	56.5	82	5.0	108	425	24420.0350
30	M12	65	35	56.5	82	5.0	108	429	24420.0364
30	M12	85	35	56.5	82	5.0	108	444	24420.0384

d ₁	d ₂	l ₁	Dimensions					[g]	Art. No.
			d ₃	h ₁	h ₂	h ₃	l ₂		
[mm]									
black									
18	M 6	20	24	34.5	50	3.0	62	91	24420.0032
18	M 6	27	24	34.5	50	3.0	62	98	24420.0052
22	M 8	21	25	39.5	56	3.5	74	151	24420.0132
22	M 8	36	25	39.5	56	3.5	74	154	24420.0152
25	M10	29	30	46.5	66	4.0	89	230	24420.0232
25	M10	47	30	46.5	66	4.0	89	239	24420.0252
30	M12	34	35	56.5	82	5.0	108	407	24420.0332
30	M12	50	35	56.5	82	5.0	108	418	24420.0348
30	M12	57	35	56.5	82	5.0	108	425	24420.0352
30	M12	65	35	56.5	82	5.0	108	429	24420.0366
30	M12	85	35	56.5	82	5.0	108	444	24420.0386

Application example

Increase of clamping force with axial bearing
(while manual force is unchanged)



Compliance

RoHS compliant

Contains lead - compliant according to exceptions 6a / 6b / 6c.

Contains SVHC substances >0,1% w/w

Contains lead - SVHC list [REACH] as of 27.06.2024.

Contains Proposition 65 substances



Lead can cause cancer and reproductive harm from exposure
<https://www.P65Warnings.ca.gov/>

Free from Conflict Minerals

This product does not contain any substances designated as "conflict minerals" such as tantalum, tin, gold or tungsten from the Democratic Republic of Congo or adjacent countries.