

## Adjustable Clamping Levers · inner parts from stainless steel, with female thread

EH 24390.



### Product Description

Adjustable clamping levers with rust-proof inner parts. Suitable for multiple applications, e.g. medical environments, chemical industry, and so on.

### Material

#### Lever

- Zinc die-cast, plastic coated, orange similar to RAL 2004, matt structure
- Zinc die-cast, plastic coated, black, similar to RAL 9005, matt structure

#### Threaded part

- Stainless steel 1.4305

#### Inner parts

- Stainless steel 1.4305

### Operation

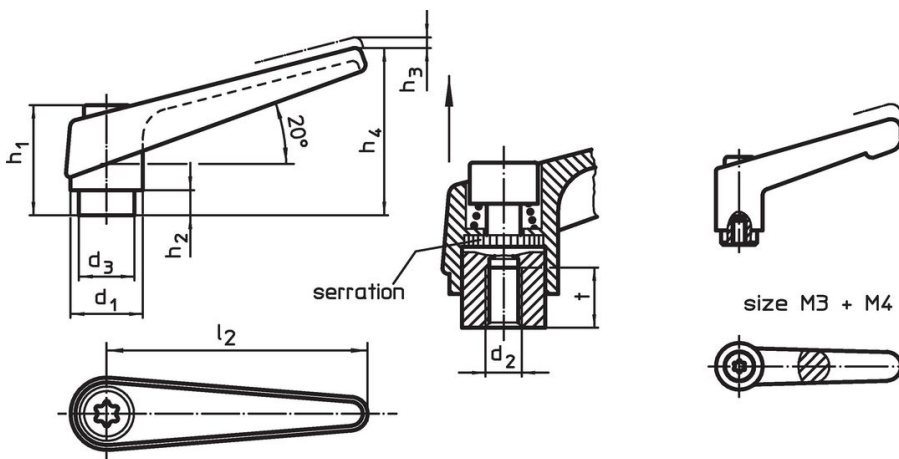
**By lifting the lever** the serrations are disengaged. The lever can be positioned by the serrations. On releasing the lever, the serrations are automatically re-engaged.

### More information

### Notes

The threaded portion can be exchanged.

### Drawing

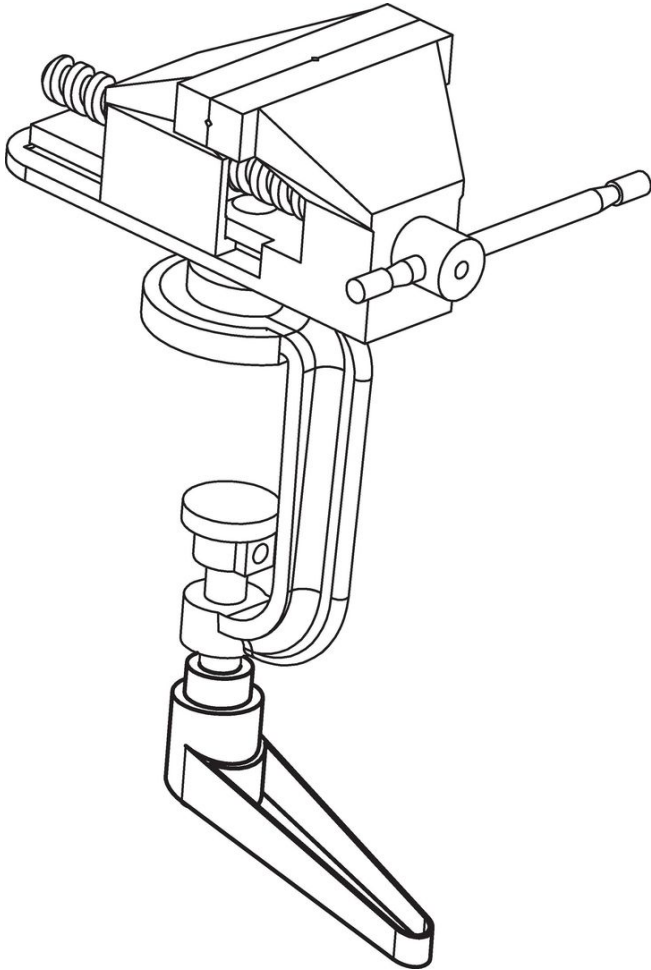


### Order information

d <sub>1</sub>	d <sub>2</sub>	d <sub>3</sub>	Dimensions							[g]	Art. No.	
			h <sub>1</sub>	h <sub>2</sub>	h <sub>3</sub>	h <sub>4</sub>	l <sub>2</sub>	t ≥				
											[mm]	
<b>orange</b>												
13	M 3	10.0	24.5	4.0	3.5	30.5	30	7	26	24390.0032		
13	M 4	10.0	24.5	4.0	3.5	30.5	30	9	25	24390.0036		
14	M 5	10.0	24.5	4.0	3.0	35.0	45	8	33	24390.0111		
14	M 6	10.0	24.5	4.0	3.0	35.0	45	8	33	24390.0121		
18	M 8	13.5	31.0	6.5	3.0	45.0	62	10	67	24390.0321		
22	M 8	16.0	36.0	8.0	3.5	52.0	74	14	112	24390.0411		
22	M10	16.0	36.0	8.0	3.5	52.0	74	14	109	24390.0421		
25	M10	19.0	43.0	11.0	4.0	63.0	89	17	175	24390.0511		
25	M12	19.0	43.0	11.0	4.0	63.0	89	17	171	24390.0521		
30	M12	23.0	50.5	12.0	5.0	76.0	108	22	286	24390.0611		
30	M16	23.0	50.5	12.0	5.0	76.0	108	22	269	24390.0621		
<b>black</b>												
13	M 3	10.0	24.5	4.0	3.5	30.5	30	7	26	24390.0034		
13	M 4	10.0	24.5	4.0	3.5	30.5	30	9	25	24390.0038		
14	M 5	10.0	24.5	4.0	3.0	35.0	45	8	33	24390.0114		
14	M 6	10.0	24.5	4.0	3.0	35.0	45	8	33	24390.0124		
18	M 8	13.5	31.0	6.5	3.0	45.0	62	10	67	24390.0324		
22	M 8	16.0	36.0	8.0	3.5	52.0	74	14	112	24390.0414		
22	M10	16.0	36.0	8.0	3.5	52.0	74	14	109	24390.0424		

d <sub>1</sub>	d <sub>2</sub>	d <sub>3</sub>	h <sub>1</sub>	Dimensions					l <sub>2</sub>	t ≥	[g]	Art. No.
				h <sub>2</sub>	h <sub>3</sub>	h <sub>4</sub>	[mm]					
25	M10	19.0	43.0	11.0	4.0	63.0	89	17	175	24390.0514		
25	M12	19.0	43.0	11.0	4.0	63.0	89	17	171	24390.0524		
30	M12	23.0	50.5	12.0	5.0	76.0	108	22	286	24390.0614		
30	M16	23.0	50.5	12.0	5.0	76.0	108	22	269	24390.0624		

### Application example



### Compliance

#### RoHS compliant

Contains lead - compliant according to exceptions 6a / 6b / 6c.

#### Contains SVHC substances >0,1% w/w

Contains lead - SVHC list [REACH] as of 23.01.2024.

#### Contains Proposition 65 substances



Lead can cause cancer and reproductive harm from exposure  
<https://www.P65Warnings.ca.gov/>

#### Free from Conflict Minerals

This product does not contain any substances designated as "conflict minerals" such as tantalum, tin, gold or tungsten from the Democratic Republic of Congo or adjacent countries.