

## Crank Handles · with folding handle, stainless steel

EH 24331.



### Product Description

#### Material

##### Axle part

- Stainless steel 1.4305

##### Handle

- Thermoplastic, black, dull

##### Handle body

- Aluminium, plastic coated, similar to RAL 9006 silver, structural matt
- Aluminium, plastic coated, similar to RAL 9005 black, matt structure

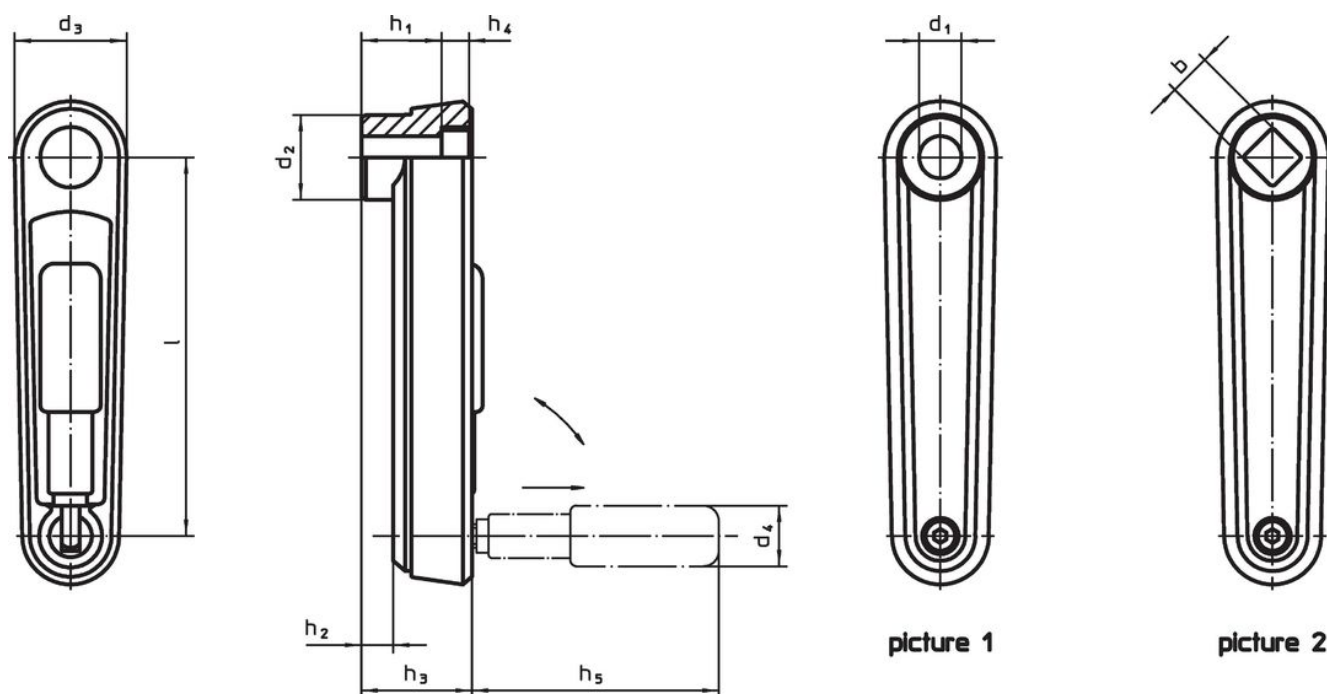
##### Covering

- Plastic, light grey

#### Operation


In the operating position the handle is locked. To move the handle to the rest position, it must be pulled out axially and flipped round.

### Drawing



### Order information

l	d <sub>1</sub> H7	b H11	Dimensions							d <sub>4</sub> Cylindrical handle Ø	[g]	Art. No.
			d <sub>2</sub>	d <sub>3</sub>	h <sub>1</sub>	h <sub>2</sub> ~ [mm]	h <sub>3</sub>	h <sub>4</sub>	h <sub>5</sub>			
<b>with smooth bore – picture 1, silver</b>												
80	10	–	23.0	30	19.5	4.0	25.5	4.3	43.0	16	119	24331.0405
100	12	–	26.7	35	23.5	5.5	29.5	4.2	57.5	18	174	24331.0410
125	14	–	28.0	37	30.5	10.5	36.5	4.2	76.5	24	246	24331.0415
<b>with smooth bore – picture 1, black</b>												
80	10	–	23.0	30	19.5	4.0	25.5	4.3	43.0	16	119	24331.0505
100	12	–	26.7	35	23.5	5.5	29.5	4.2	57.5	18	174	24331.0510
125	14	–	28.0	37	30.5	10.5	36.5	4.2	76.5	24	246	24331.0515
<b>with square shaft – picture 2, silver</b>												
80	–	10	23.0	30	19.5	4.0	25.5	4.3	43.0	16	117	24331.0605
100	–	12	26.7	35	23.5	5.5	29.5	4.2	57.5	18	171	24331.0610
125	–	14	28.0	37	30.5	10.5	36.5	4.2	76.5	24	240	24331.0615

l	d <sub>1</sub>	b	d <sub>2</sub>	d <sub>3</sub>	h <sub>1</sub>	Dimensions					d <sub>4</sub> Cylindrical handle Ø	 [g]	Art. No.
	H7	H11				h <sub>2</sub>	h <sub>3</sub>	h <sub>4</sub>	h <sub>5</sub>	[mm]			
<b>with square shaft – picture 2, black</b>													
80	–	10	23.0	30	19.5	4.0	25.5	4.3	43.0	16	117	24331.0705	
100	–	12	26.7	35	23.5	5.5	29.5	4.2	57.5	18	171	24331.0710	
125	–	14	28.0	37	30.5	10.5	36.5	4.2	76.5	24	240	24331.0715	

## Compliance

### RoHS compliant

Contains lead - compliant according to exceptions 6a / 6b / 6c.

### Contains SVHC substances >0,1% w/w

Contains lead - SVHC list [REACH] as of 23.01.2024.

### Contains Proposition 65 substances



Lead can cause cancer and reproductive harm from exposure  
<https://www.P65Warnings.ca.gov/>

### Free from Conflict Minerals

This product does not contain any substances designated as "conflict minerals" such as tantalum, tin, gold or tungsten from the Democratic Republic of Congo or adjacent countries.