

Straight Clamps · short
EH 23700.

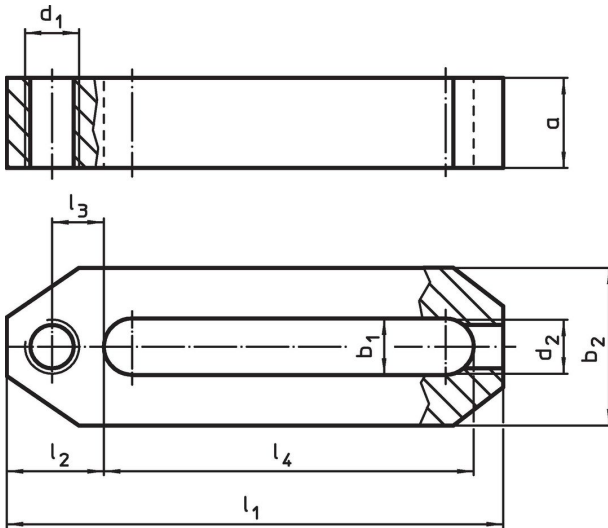


Product Description

Material

- Heat-treated steel, tempered, blackened

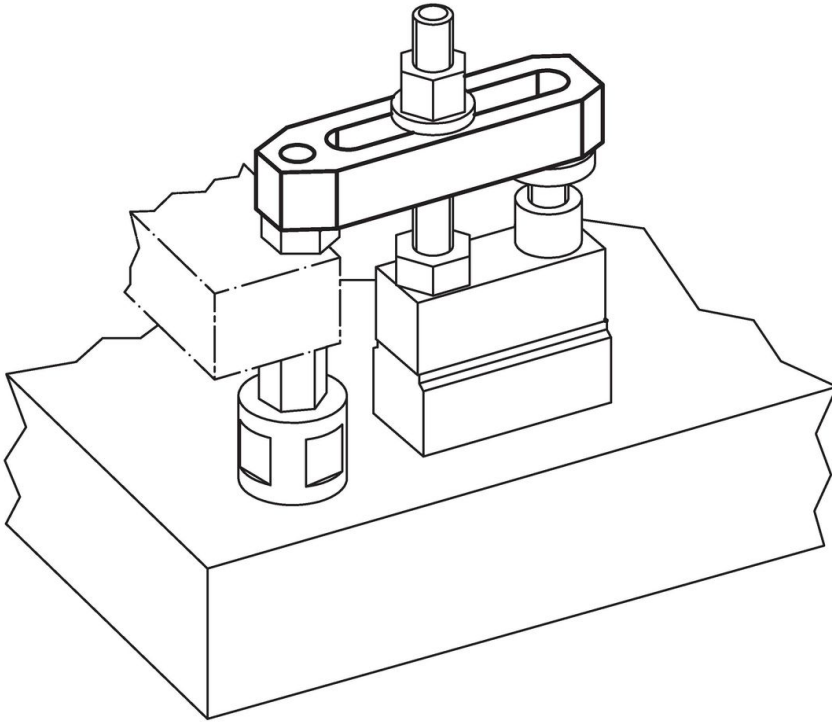
Drawing



Order information

Dimensions									Art. No.	
b ₁	l ₁	a	b ₂	d ₁	d ₂	l ₂	l ₃	l ₄		
[mm]									g	
12.5	110	20	35	M12	M10	21.5	11.5	82	370	23700.0022
17.0	142	30	40	M16	M12	28.0	15.0	107	781	23700.0026

Application example



Compliance

RoHS compliant

Compliant according to Directive 2011/65/EU and Directive 2015/863.

Does not contain SVHC substances

No SVHC substances with more than 0.1% w/w contained - SVHC list [REACH] as of 23.01.2024.

Does not contain Proposition 65 substances

No Proposition 65 substances included.

<https://www.P65Warnings.ca.gov/>

Free from Conflict Minerals

This product does not contain any substances designated as "conflict minerals" such as tantalum, tin, gold or tungsten from the Democratic Republic of Congo or adjacent countries.