

## Eccentric Quick Clamps · with screw

### EH 23390.



#### Product Description

For quick and easy clamping and releasing of workpieces.  
When using the "adjustable" design (picture 2) the lever position can be moved.

#### Material

##### Support washer

- Thermoplastic PA, glass-fiber reinforced
- Thermoplastic POM, glass-fiber reinforced

##### Lever

- Zinc die-cast, plastic coated, black, similar to RAL 9005

##### Inner parts

- Steel, zinc-plated by galvanization
- Stainless steel 1.4305

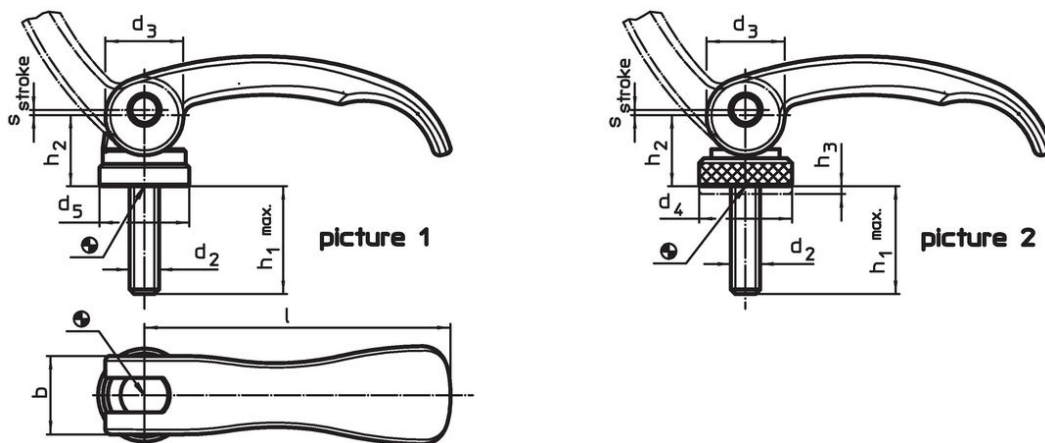
##### Screw

- Steel, zinc-plated by galvanization
- Stainless steel 1.4305

##### Adjusting nut

- Steel, zinc-plated by galvanization
- Stainless steel 1.4305

#### Drawing



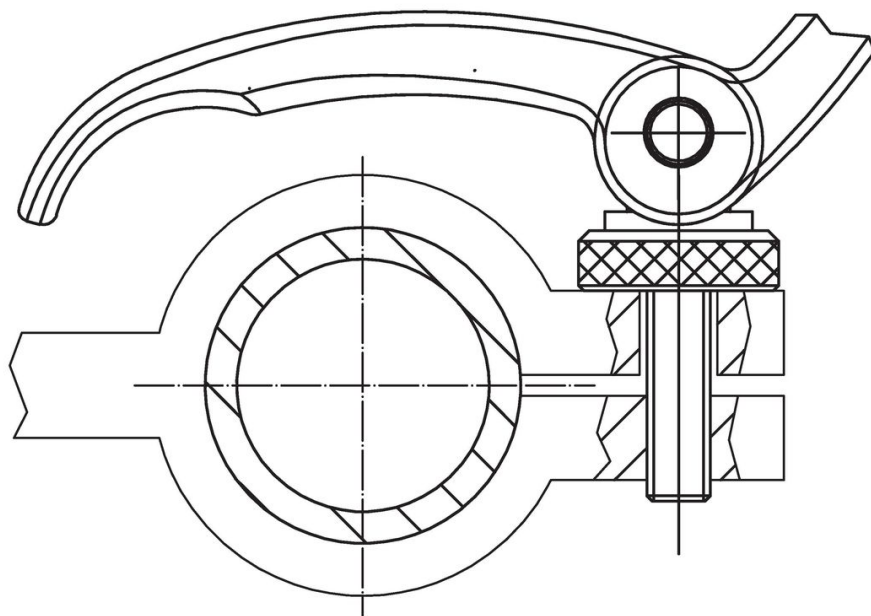
#### Order information

l	d <sub>2</sub>	h <sub>1</sub> max. in clamping position	Dimensions						Regulating- range h <sub>3</sub> min.	b	Stroke s at 90° lever position [mm]	🌡️ max. [°C]	🏠 [g]	Art. No.
			d <sub>3</sub>	d <sub>4</sub>	d <sub>5</sub>	h <sub>2</sub> max.	[mm]							
<b>with screw – picture 1, Steel</b>														
63	M5	16	16	–	18.5	16.4	–	16	0.75	80	62	23390.0030		
63	M5	20	16	–	18.5	16.4	–	16	0.75	80	63	23390.0031		
63	M5	25	16	–	18.5	16.4	–	16	0.75	80	63	23390.0032		
63	M5	30	16	–	18.5	16.4	–	16	0.75	80	65	23390.0033		
63	M5	35	16	–	18.5	16.4	–	16	0.75	80	65	23390.0034		
63	M5	40	16	–	18.5	16.4	–	16	0.75	80	65	23390.0035		
63	M5	50	16	–	18.5	16.4	–	16	0.75	80	67	23390.0036		
63	M6	16	16	–	18.5	16.4	–	16	0.75	80	63	23390.0009		
63	M6	20	16	–	18.5	16.4	–	16	0.75	80	65	23390.0010		
63	M6	25	16	–	18.5	16.4	–	16	0.75	80	65	23390.0011		
63	M6	30	16	–	18.5	16.4	–	16	0.75	80	65	23390.0012		
63	M6	35	16	–	18.5	16.4	–	16	0.75	80	66	23390.0013		

l	d <sub>2</sub>	h <sub>1</sub> max. in clamping position	Dimensions						Regulating- range h <sub>3</sub> min.	b	Stroke s at 90° lever position [mm]	max. [°C]	max. [g]	Art. No.
			d <sub>3</sub>	d <sub>4</sub>	d <sub>5</sub>	h <sub>2</sub> max.	[mm]							
63	M6	40	16	–	18.5	16.4	–	16	0.75	80	68	23390.0014		
63	M6	50	16	–	18.5	16.4	–	16	0.75	80	69	23390.0016		
82	M8	20	20	–	22.5	19.5	–	20	1.00	80	128	23390.0019		
82	M8	25	20	–	22.5	19.5	–	20	1.00	80	129	23390.0020		
82	M8	30	20	–	22.5	19.5	–	20	1.00	80	132	23390.0021		
82	M8	35	20	–	22.5	19.5	–	20	1.00	80	134	23390.0022		
82	M8	40	20	–	22.5	19.5	–	20	1.00	80	136	23390.0023		
82	M8	50	20	–	22.5	19.5	–	20	1.00	80	138	23390.0025		
82	M8	60	20	–	22.5	19.5	–	20	1.00	80	142	23390.0027		
<b>with screw, adjustable – picture 2, Steel</b>														
63	M5	16	16	19	–	16.4	1.5	16	0.75	80	68	23390.0130		
63	M5	20	16	19	–	16.4	1.5	16	0.75	80	69	23390.0131		
63	M5	25	16	19	–	16.4	1.5	16	0.75	80	69	23390.0132		
63	M5	30	16	19	–	16.4	1.5	16	0.75	80	71	23390.0133		
63	M5	35	16	19	–	16.4	1.5	16	0.75	80	71	23390.0134		
63	M5	40	16	19	–	16.4	1.5	16	0.75	80	72	23390.0135		
63	M5	50	16	19	–	16.4	1.5	16	0.75	80	73	23390.0136		
63	M6	16	16	19	–	16.4	1.5	16	0.75	80	69	23390.0109		
63	M6	20	16	19	–	16.4	1.5	16	0.75	80	70	23390.0110		
63	M6	25	16	19	–	16.4	1.5	16	0.75	80	72	23390.0111		
63	M6	30	16	19	–	16.4	1.5	16	0.75	80	72	23390.0112		
63	M6	35	16	19	–	16.4	1.5	16	0.75	80	70	23390.0113		
63	M6	40	16	19	–	16.4	1.5	16	0.75	80	74	23390.0114		
63	M6	50	16	19	–	16.4	1.5	16	0.75	80	75	23390.0116		
82	M8	20	20	25	–	19.5	2.5	20	1.00	80	142	23390.0119		
82	M8	25	20	25	–	19.5	2.5	20	1.00	80	145	23390.0120		
82	M8	30	20	25	–	19.5	2.5	20	1.00	80	146	23390.0121		
82	M8	35	20	25	–	19.5	2.5	20	1.00	80	140	23390.0122		
82	M8	40	20	25	–	19.5	2.5	20	1.00	80	149	23390.0123		
82	M8	50	20	25	–	19.5	2.5	20	1.00	80	152	23390.0125		
82	M8	60	20	25	–	19.5	2.5	20	1.00	80	155	23390.0127		
<b>with screw – picture 1, Stainless steel</b>														
63	M5	16	16	–	18.5	16.4	–	16	0.75	80	62	23390.0230		
63	M5	20	16	–	18.5	16.4	–	16	0.75	80	63	23390.0231		
63	M5	25	16	–	18.5	16.4	–	16	0.75	80	63	23390.0232		
63	M5	30	16	–	18.5	16.4	–	16	0.75	80	65	23390.0233		
63	M5	35	16	–	18.5	16.4	–	16	0.75	80	65	23390.0234		
63	M5	40	16	–	18.5	16.4	–	16	0.75	80	65	23390.0235		
63	M5	50	16	–	18.5	16.4	–	16	0.75	80	67	23390.0236		
63	M6	16	16	–	18.5	16.4	–	16	0.75	80	63	23390.0209		
63	M6	20	16	–	18.5	16.4	–	16	0.75	80	65	23390.0210		
63	M6	25	16	–	18.5	16.4	–	16	0.75	80	65	23390.0211		
63	M6	30	16	–	18.5	16.4	–	16	0.75	80	65	23390.0212		
63	M6	35	16	–	18.5	16.4	–	16	0.75	80	66	23390.0213		
63	M6	40	16	–	18.5	16.4	–	16	0.75	80	68	23390.0214		
63	M6	50	16	–	18.5	16.4	–	16	0.75	80	69	23390.0216		
82	M8	20	20	–	22.5	19.5	–	20	1.00	80	128	23390.0219		
82	M8	25	20	–	22.5	19.5	–	20	1.00	80	129	23390.0220		
82	M8	30	20	–	22.5	19.5	–	20	1.00	80	132	23390.0221		
82	M8	35	20	–	22.5	19.5	–	20	1.00	80	134	23390.0222		
82	M8	40	20	–	22.5	19.5	–	20	1.00	80	136	23390.0223		
82	M8	50	20	–	22.5	19.5	–	20	1.00	80	138	23390.0225		
82	M8	60	20	–	22.5	19.5	–	20	1.00	80	142	23390.0227		
<b>with screw, adjustable – picture 2, Stainless steel</b>														
63	M5	16	16	19	–	16.4	1.5	16	0.75	80	68	23390.0330		
63	M5	20	16	19	–	16.4	1.5	16	0.75	80	69	23390.0331		
63	M5	25	16	19	–	16.4	1.5	16	0.75	80	69	23390.0332		
63	M5	30	16	19	–	16.4	1.5	16	0.75	80	71	23390.0333		
63	M5	35	16	19	–	16.4	1.5	16	0.75	80	71	23390.0334		

l	d <sub>2</sub>	h <sub>1</sub> max. in clamping position	Dimensions						Regulating- range h <sub>3</sub> min.	b	Stroke s at 90° lever position [mm]	max. [°C]	max. [g]	Art. No.
			d <sub>3</sub>	d <sub>4</sub>	d <sub>5</sub>	h <sub>2</sub> max.	[mm]							
63	M5	40	16	19	–	16.4	1.5	16	0.75	80	72	23390.0335		
63	M5	50	16	19	–	16.4	1.5	16	0.75	80	73	23390.0336		
63	M6	16	16	19	–	16.4	1.5	16	0.75	80	69	23390.0309		
63	M6	20	16	19	–	16.4	1.5	16	0.75	80	70	23390.0310		
63	M6	25	16	19	–	16.4	1.5	16	0.75	80	72	23390.0311		
63	M6	30	16	19	–	16.4	1.5	16	0.75	80	72	23390.0312		
63	M6	35	16	19	–	16.4	1.5	16	0.75	80	70	23390.0313		
63	M6	40	16	19	–	16.4	1.5	16	0.75	80	74	23390.0314		
63	M6	50	16	19	–	16.4	1.5	16	0.75	80	75	23390.0316		
82	M8	20	20	25	–	19.5	2.5	20	1.00	80	142	23390.0319		
82	M8	25	20	25	–	19.5	2.5	20	1.00	80	145	23390.0320		
82	M8	30	20	25	–	19.5	2.5	20	1.00	80	146	23390.0321		
82	M8	35	20	25	–	19.5	2.5	20	1.00	80	140	23390.0322		
82	M8	40	20	25	–	19.5	2.5	20	1.00	80	149	23390.0323		
82	M8	50	20	25	–	19.5	2.5	20	1.00	80	152	23390.0325		
82	M8	60	20	25	–	19.5	2.5	20	1.00	80	155	23390.0327		

### Application example



### Compliance

For detailed compliance information please select the desired article number.