

Eccentric Quick Clamps · with female thread

EH 23390.



Product Description

For quick and easy clamping and releasing of workpieces.
When using the "adjustable" design (picture 2) the lever position can be moved.

Material

Support washer

- Thermoplastic PA, glass-fiber reinforced
- Thermoplastic POM, glass-fiber reinforced

Lever

- Zinc die-cast, plastic coated, black, similar to RAL 9005

Threaded part

- Steel, zinc-plated by galvanization
- Stainless steel 1.4305

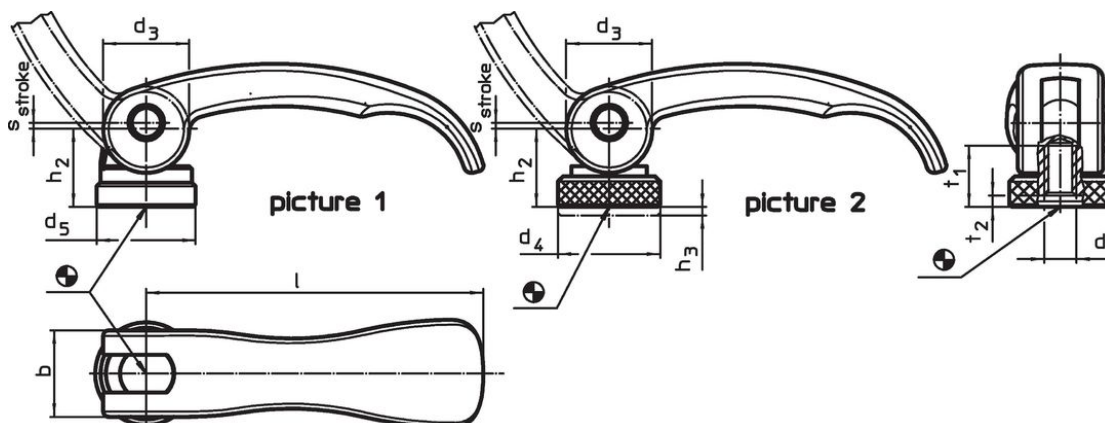
Inner parts

- Steel, zinc-plated by galvanization
- Stainless steel 1.4305

Adjusting nut


- Steel, zinc-plated by galvanization
- Stainless steel 1.4305

Drawing

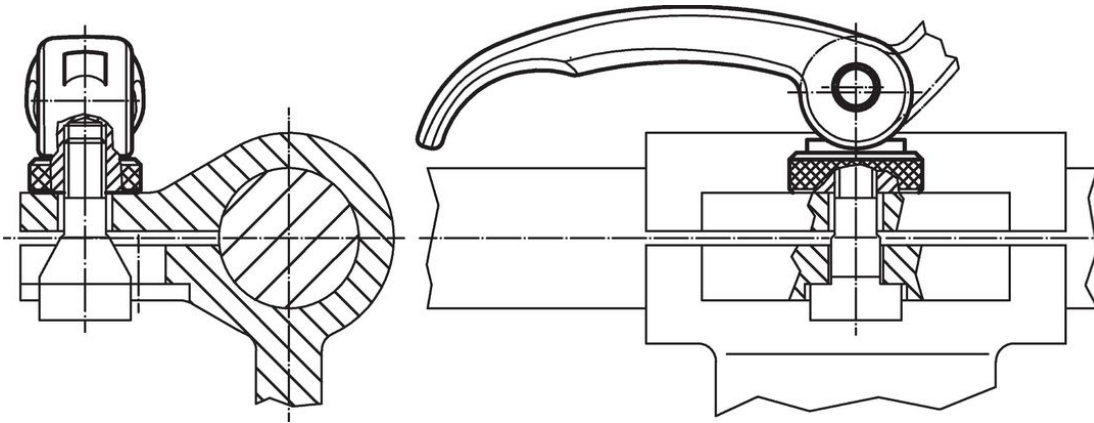


Order information

Dimensions											Stroke s at 90° lever position	🌡️ max.	📦 [g]	Art. No.
l	d ₁	d ₃	d ₄	d ₅	h ₂ max.	Regulating- range h ₃ min.	b	t ₁	t ₂ min. in clamping position		[mm]	[°C]	[g]	
[mm]											[mm]	[°C]	[g]	
with female thread – picture 1, Steel														
63	M5	16	–	18.5	16.4	–	16	13	3.0		0.75	80	60	23390.0003
63	M6	16	–	18.5	16.4	–	16	13	3.0		0.75	80	58	23390.0001
82	M8	20	–	22.5	19.5	–	20	15	3.7		1.00	80	118	23390.0002
with female thread, adjustable – picture 2, Steel														
63	M5	16	19	–	16.4	1.5	16	13	3.0		0.75	80	66	23390.0103
63	M6	16	19	–	16.4	1.5	16	13	3.0		0.75	80	65	23390.0101
82	M8	20	25	–	19.5	2.5	20	15	3.7		1.00	80	131	23390.0102
with female thread – picture 1, Stainless steel														
63	M5	16	–	18.5	16.4	–	16	13	3.0		0.75	80	60	23390.0203
63	M6	16	–	18.5	16.4	–	16	13	3.0		0.75	80	58	23390.0201
82	M8	20	–	22.5	19.5	–	20	15	3.7		1.00	80	118	23390.0202

l	d ₁	d ₃	d ₄	d ₅	Dimensions					Stroke s at 90° lever position [mm]	 max. [°C]	 [g]	Art. No.
					h ₂ max. [mm]	Regulating- range h ₃ min.	b	t ₁	t ₂ min. in clamping position				
with female thread, adjustable – picture 2, Stainless steel													
63	M5	16	19	–	16.4	1.5	16	13	3.0	0.75	80	66	23390.0303
63	M6	16	19	–	16.4	1.5	16	13	3.0	0.75	80	65	23390.0301
82	M8	20	25	–	19.5	2.5	20	15	3.7	1.00	80	131	23390.0302

Application example



Compliance

For detailed compliance information please select the desired article number.