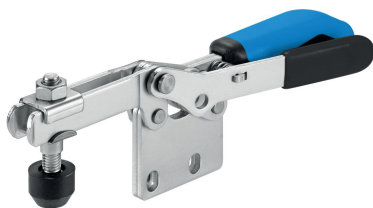


Horizontal Toggle Clamps • with vertical base and safety lock

EH 23330.



Product Description

Due to their favourable power to movement ratio and their easy action the toggle clamps are versatile applicable for a wide range of uses.

These toggle clamps can be used in the metal working industry when drilling, welding, bending, grinding, testing and fitting as well as in the wood and plastic industry in glueing, drilling, cutting and milling jigs.

The "toggle" principle of the toggle clamp allows a large and quick opening of the clamp. If unclamped the workpieces are completely cleared for unimpeded removal. The large power transmission results maximum clamping force by low hand force. The clamps are self-arresting they remain locked, resisting the force produced when machining components. The toggle clamps are manufactured from high quality components and are designed for continuous use.

A oil resistant ergonomic 2-component handle, with increased grip area with soft surface for high ease of use.

The quickly adjustable clamping screws are provided by a retainer.

Material

Clamp

- Steel, zinc-plated by galvanization, passivated

Rivet

- Stainless steel

Handle

- plastic

Clamping screw

- Steel, tempered, zinc-plated by galvanization

Clamping cap

- Rubber, black

Plastic cap

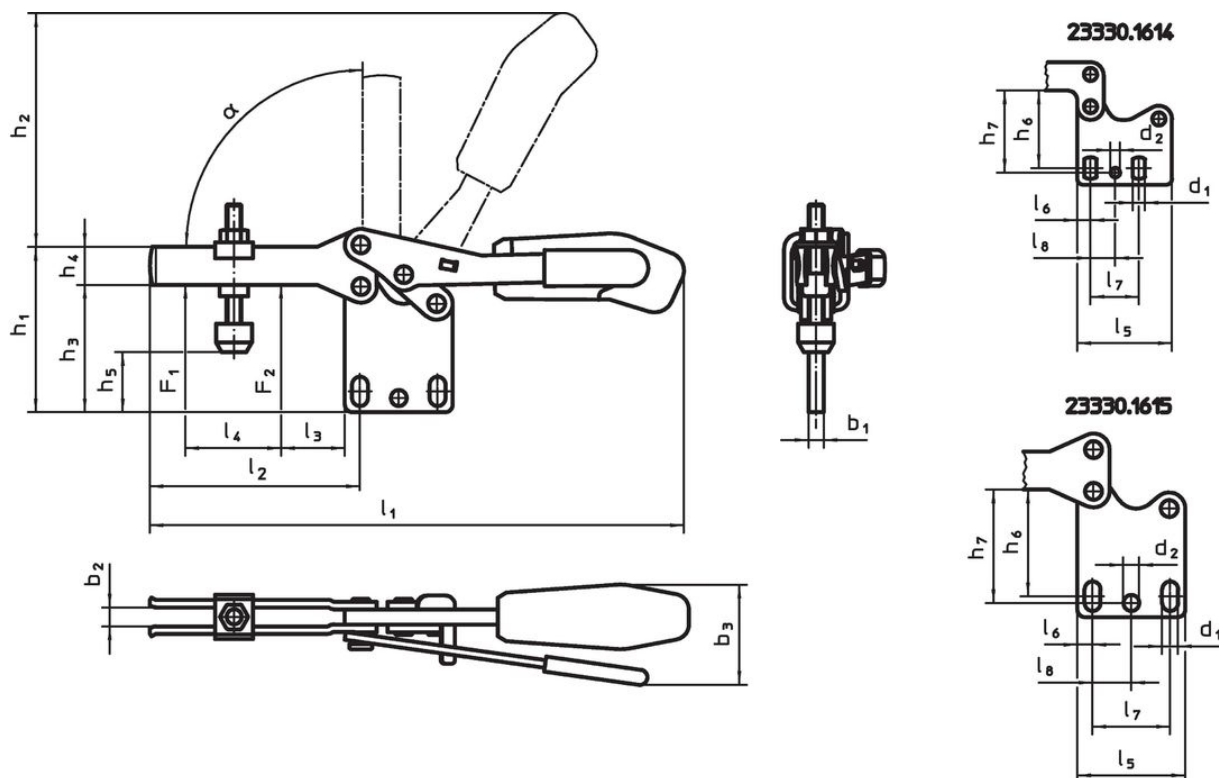
- PVC, black

More information

References

Replacement clamping screws are available as accessories in the online shop.


Drawing



Order information

Nominal size	Clamping screw [mm]	Dimensions																		Holding force		α	Temperature		Art. No.																							
		d ₁	d ₂	b ₁	b ₂	b ₃	h ₁	h ₂	h ₃	h ₄	h ₅	h ₅ min. max	h ₆	h ₇	l ₁	l ₂	l ₃	l ₄	l ₅	l ₆	l ₇		l ₈	F ₁		F ₂	[kN]	min.	max	[°C]	[g]																	
Steel																																																
4	M8 x 45	6.5	5.1	6	8	48	65	86	49.0	15	14.5	26	37.5 – 42.5	42	206	73	14	38	50	7	25.7	13.0	1.8	2.5	90°	-10	80	401	23330.1614																			
5	M8 x 65	8.5	8.5	8	10	51	97	115	66.5	20	17.5	46	52.0 – 59.0	59	287	113	27	63	57	8	41.0	20.5	2.0	3.0	90°	-10	80	834	23330.1615																			

Accessories

	d ₂ [mm]	Weight [g]	Art. No.
Clamping screw (spare part of toggle clamp)			
	M8 x 45	38	23330.9005
	M8 x 65	57	23330.9006

Compliance

For detailed compliance information please select the desired article number.