

## Eccentric Clamping Washers

EH 23270.



### Product Description

The eccentric clamping washers are especially suitable for the clamping of raw parts, e.g. cut-off portions, cast iron parts and forgings.

### Material

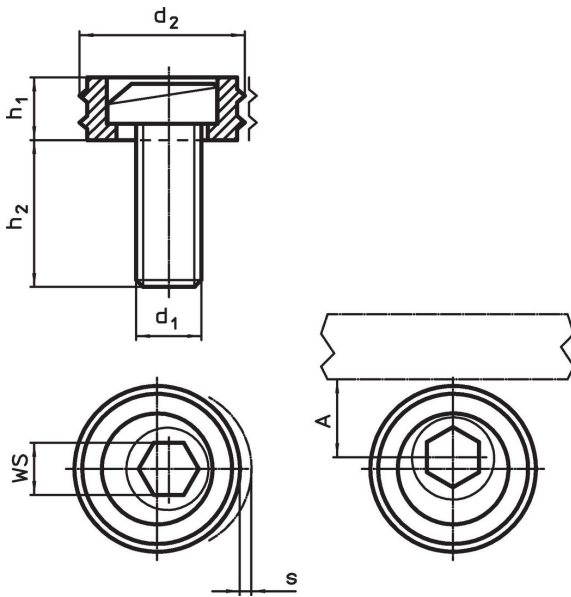
#### Eccentric screw

- Steel

#### Body

- Steel, case-hardened

### Drawing



### Order information

d <sub>1</sub>	d <sub>2</sub>	Dimensions			A	WS	Clamping force max. [kN]	Tightening torque max. [Nm]	[g]	Art. No.
		h <sub>1</sub>	h <sub>2</sub>	s						
		[mm]			[mm]	[mm]				
M10	20.6	6.4	16.0	1.6	10.3	7	9.0	26	23	<a href="#">23270.0210</a>
M12	25.4	9.6	22.5	2.0	12.7	8	17.8	88	41	<a href="#">23270.0212</a>
M16	30.1	12.7	26.8	2.5	15.0	12	26.7	135	92	<a href="#">23270.0216</a>

### Application example

