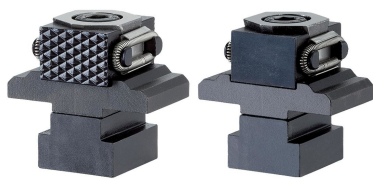


Taper Clamping Units • plain / ribbed, M8  
EH 23250.



**Product Description**

Inserting the socket head screw moves the two clamping chucks outwards and presses the workpieces against a stop. Stroke of taper clamping units with M8 = +/- 0.5 mm, M12 = +/- 1 mm.

**Material**

**Body**

- Tool steel, hardened, bright

**Screw**

- Heat-treated steel, tempered, quality 12.9

**Spring**

- Spring steel wire

**Clamping jaws**

- Tool steel, hardened, blackened and ground

**More information**

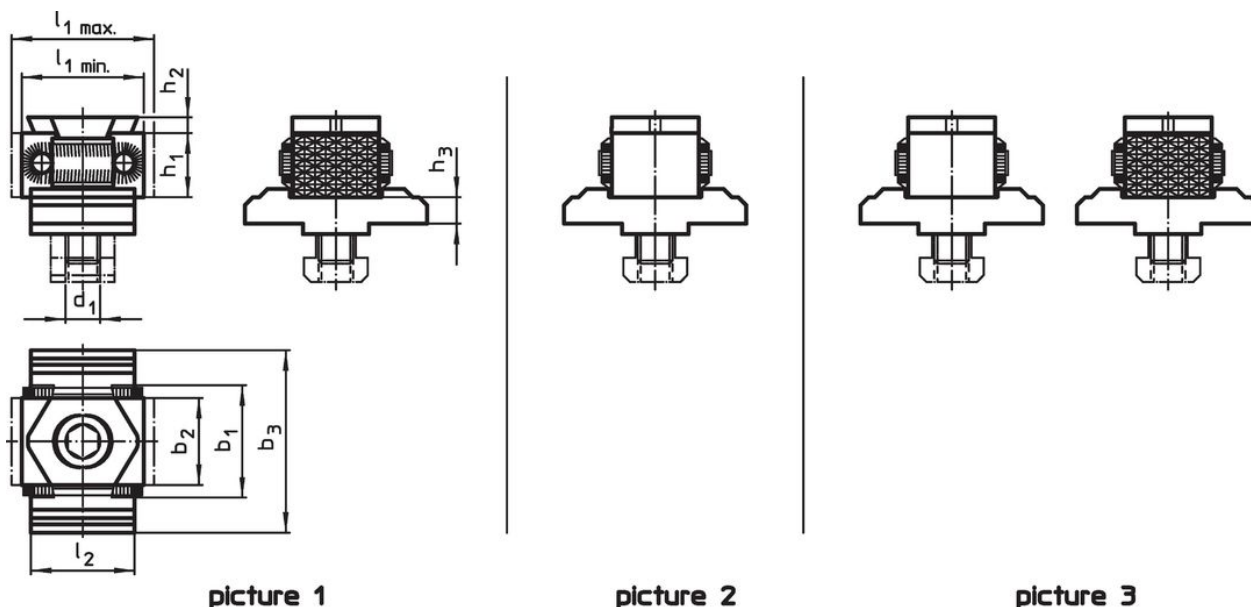
**Notes**

Clamping jaws protected against rotating

**Further products**

- Taper Clamping Units

**Drawing**



**Order information**

d <sub>1</sub>	l <sub>1</sub> min.	l <sub>1</sub> max.	l <sub>2</sub>	Dimensions			h <sub>1</sub>	h <sub>2</sub>	h <sub>3</sub>	[g]	Art. No.
				b <sub>1</sub>	b <sub>2</sub>	b <sub>3</sub>					
[mm]											
<b>clamping jaw, ribbed on both sides – picture 1</b>											
M8	27	31	25	29	21	44	15	2.5	6.4	206	23250.0501
<b>clamping jaw, plain on both sides – picture 2</b>											
M8	27	31	25	29	21	44	15	2.5	6.4	200	23250.0502
<b>clamping jaw, plain and ribbed – picture 3</b>											
M8	27	31	25	29	21	44	15	2.5	6.4	210	23250.0503

## Compliance

### RoHS compliant

Compliant according to Directive 2011/65/EU and Directive 2015/863.

### Does not contain SVHC substances

No SVHC substances with more than 0.1% w/w contained - SVHC list [REACH] as of 23.01.2024.

### Does not contain Proposition 65 substances

No Proposition 65 substances included.

<https://www.P65Warnings.ca.gov/>

### Free from Conflict Minerals

This product does not contain any substances designated as "conflict minerals" such as tantalum, tin, gold or tungsten from the Democratic Republic of Congo or adjacent countries.