

Studs · DIN 6379 b long for nut for T-Slots EH 23040.



Product Description

Studs combined with T-nuts DIN 508 (EH 23010./23020.), fixture nuts DIN 6330 (EH 23070.) and plain washers DIN 6340 (EH 23060.) become complete clamping studs. These studs are characterised by the rolled thread.

Material

- Heat-treated steel

More information

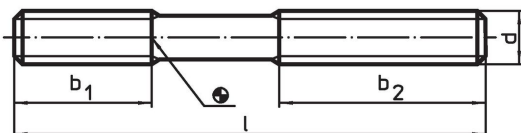
References

For torques and strengths please refer to appendix - Technical Data -

Further products

- Nuts for T-Slots, DIN 508
- Studs, DIN 6379 for T-nuts
- Studs, with internal hexagon, similar to DIN 6379, for nuts for T-Slots
- Shaft / Plain Washers, DIN 6340 heat-treated
- Fixture Nuts, DIN 6330 (height 1,5 d)

Drawing



Order information

d	Dimensions		b ₁	b ₂	[g]	Art. No.
	l	[mm]				
quality 10.9						
M 6	50		15	30	8.4	23040.0562
M 6	63		15	40	11.0	23040.0563
M 6	80		15	50	14.0	23040.0564
M 8	63		20	40	19.0	23040.0582
M 8	100		20	63	31.0	23040.0583
M 8	160		20	100	49.0	23040.0584
M10	80		25	50	39.0	23040.0602
M10	100		25	75	49.0	23040.0603
M10	125		25	75	61.0	23040.0604
M10	160		25	100	78.0	23040.0605 ¹⁾
M10	200		25	122	98.0	23040.0606
M12	63 ²⁾		–	–	44.0	23040.0622
M12	80 ²⁾		–	–	56.0	23040.0623
M12	100		30	63	71.0	23040.0624 ¹⁾
M12	125		30	75	88.0	23040.0625
M12	160		30	100	112.0	23040.0626
M12	200		30	122	140.0	23040.0627
quality 8.8						
M16	80 ²⁾		–	–	100.0	23040.0662
M16	125		40	63	161.0	23040.0664
M16	160		40	75	207.0	23040.0665
M16	200		40	100	260.0	23040.0666 ¹⁾
M16	250		40	125	325.0	23040.0667

¹⁾ DIN standards do not include these dimensions.

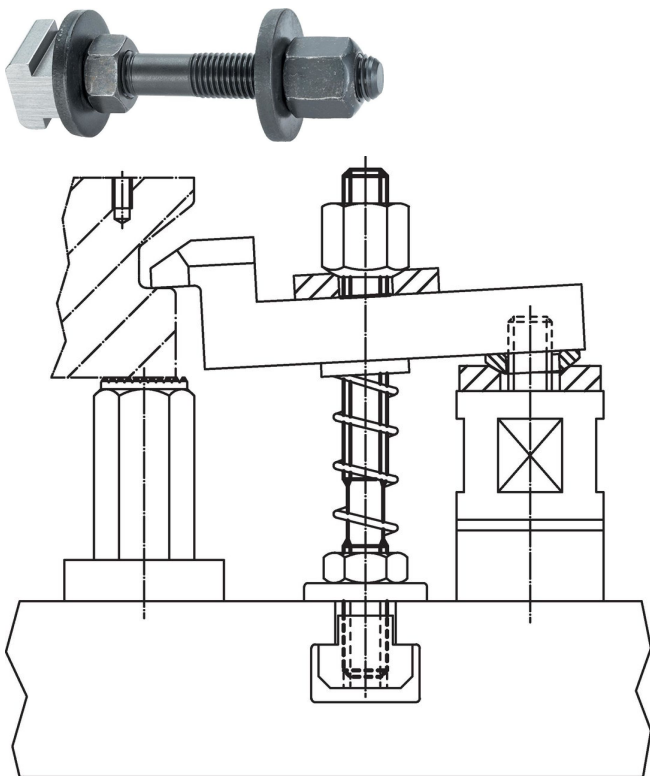
²⁾ Throughgoing thread

d	Dimensions		b ₁	b ₂	[g]	Art. No.
	l	[mm]				
M16	315		40	200	402.0	23040.1168 ¹⁾
M20	125 ²⁾		-	-	253.0	23040.1202 ¹⁾
M20	160 ²⁾		-	-	328.0	23040.1207 ¹⁾
M20	200		55	100	404.0	23040.1203 ¹⁾
M20	250		55	125	509.0	23040.1204 ¹⁾
M20	315		55	180	641.0	23040.1205 ¹⁾
M20	400		55	250	815.0	23040.1208 ¹⁾
M20	500		55	315	1071.0	23040.1206 ¹⁾
M24	125 ²⁾		-	-	365.0	23040.1246 ¹⁾
M24	160 ²⁾		-	-	467.0	23040.1242 ¹⁾
M24	200 ²⁾		-	-	585.0	23040.1247 ¹⁾
M24	250 ²⁾		-	-	733.0	23040.1243 ¹⁾
M24	315		70	180	926.0	23040.1248 ¹⁾
M24	400		70	250	1175.0	23040.1244 ¹⁾
M24	500		70	315	1468.0	23040.1249 ¹⁾

¹⁾ DIN standards do not include these dimensions.

²⁾ Throughgoing thread

Application example



Compliance

RoHS compliant

Compliant according to Directive 2011/65/EU and Directive 2015/863.

Does not contain SVHC substances

No SVHC substances with more than 0.1% w/w contained - SVHC list [REACH] as of 23.01.2024.

Does not contain Proposition 65 substances

No Proposition 65 substances included.

<https://www.P65Warnings.ca.gov/>

Free from Conflict Minerals

This product does not contain any substances designated as "conflict minerals" such as tantalum, tin, gold or tungsten from the Democratic Republic of Congo or adjacent countries.