

Nuts for T-Slots · DIN 508 with antislipping device

EH 23010.



Product Description

These nuts for T-slots (slot nuts) are manufactured according to DIN 508. The spring element avoids vertical and horizontal slipping of the nut.

Material

Ball

- Ball-bearing steel, hardened

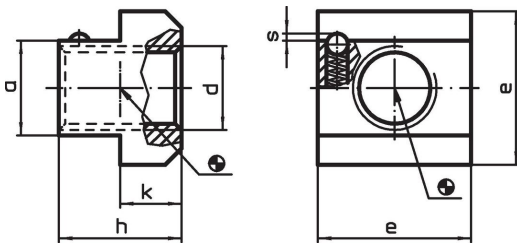
T-nut

- Heat-treated steel, tempered, quality 10, blackened

Spring

- Stainless steel

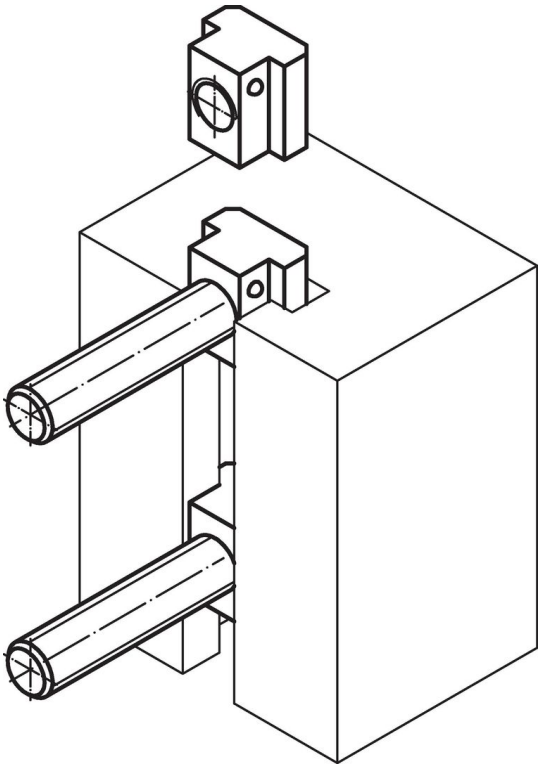
Drawing



Order information

T-slot size [mm]	d	a	Dimensions				Spring load		[g]	Art. No.
			e	h	k	s	F ₁ ~ [N]	F ₂ ~ [N]		
10	M 8	9.6	15	12	6	0.65	3.25	4.75	12	23010.0811
12	M10	11.6	18	14	7	0.80	4.70	12.60	20	23010.0813
14	M12	13.6	22	16	8	0.90	8.50	14.20	34	23010.0815
18	M16	17.6	28	20	10	1.00	7.80	13.50	68	23010.0819
22	M20	21.6	35	28	14	1.60	5.00	12.80	147	23010.0823

Application example



Compliance

RoHS compliant

Compliant according to Directive 2011/65/EU and Directive 2015/863.

Does not contain SVHC substances

No SVHC substances with more than 0.1% w/w contained - SVHC list [REACH] as of 27.06.2024.

Does not contain Proposition 65 substances

No Proposition 65 substances included.
<https://www.P65Warnings.ca.gov/>

Free from Conflict Minerals

This product does not contain any substances designated as "conflict minerals" such as tantalum, tin, gold or tungsten from the Democratic Republic of Congo or adjacent countries.