

Ball Casters · plain bearing

EH 22753.



Product Description

Ball casters are module for transport systems, conveyances, to working and packing facilities. For example, parts can be easily moved, turned and controlled. The ball casters are maintenance-free. At temperatures > 20°C, the carrying figure decreases linearly. (Example: at 90°C the load bearing capacity is max. 60%)

Material

Housing

- Stainless steel

Bearing

- plastic

Ball

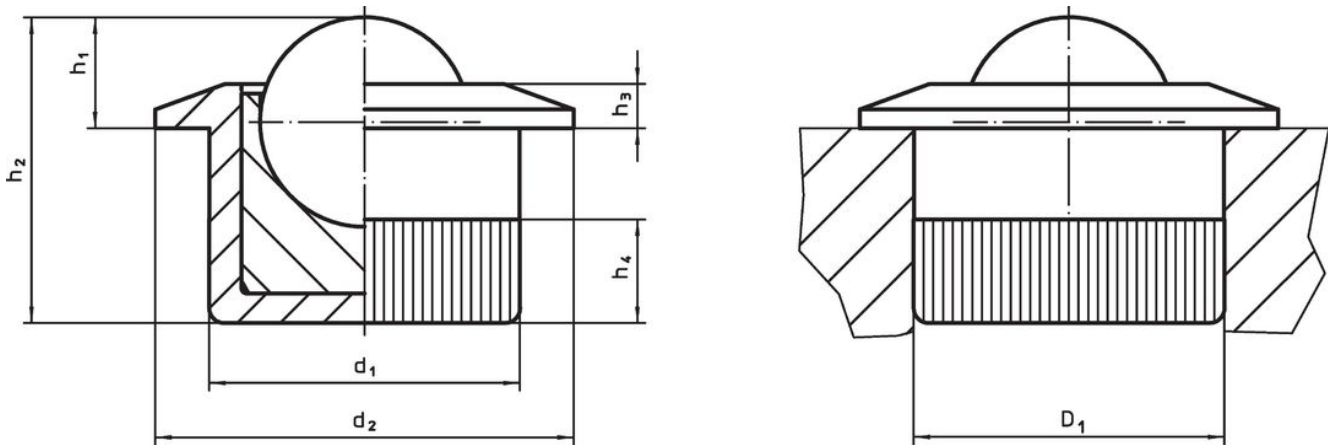
- Stainless steel, hardened

Assembly

Locking in place is achieved by pressing-in the knurled contour ball caster. Ball casters can be mounted from the functional side, using the assembly tool.

Knurling on the external contour allows installation into bore holes without additional preparatory steps.

Drawing



Order information

d <sub>1</sub>	Ball diameter	Dimensions					Location hole D <sub>1</sub> H7 [mm]	Static carrying figure C <sub>0</sub> [N]	Temperature		Weight [g]	Art. No.
		d <sub>2</sub>	h <sub>1</sub>	h <sub>2</sub>	h <sub>3</sub>	h <sub>4</sub>			min.	max.		
												[°C]
10.0	6.5	13	3.2	11.2	1.2	4.2	10.0	1161	-50	90	4.1	22753.0065
12.6	8.5	17	4.5	12.4	1.8	4.2	12.6	1986	-50	90	8.1	22753.0085

Accessories

	Suitable for ball caster		Weight [g]	Art. No.
	[mm]			
<b>assembly tool</b>				
	10.0		118	22753.9965
	12.6		125	22753.9985

Compliance

For detailed compliance information please select the desired article number.