

## Ball-Ended Thrust Screws • headless, with fine-pitch thread

EH 22720.



### Product Description

Ball-ended thrust screws can also be used for positioning and clamping, tightening or supporting of non-parallel surfaces.

The fine-pitch thread allows a precise adjustment.

The flat-faced, movable ball enables a flat load transmission.

### Material

#### Ball

- Ball-bearing steel, hardened
- Stainless steel, hardened

#### Screw

- Heat-treated steel, 1200 ±100 N/mm<sup>2</sup>
- Stainless steel 1.4305

### More information

#### Notes

Ball not secured against rotating.  
Special types on request.

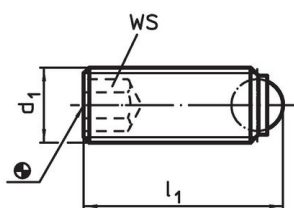
#### References

Thread lock on request, please refer to appendix - Technical Data -

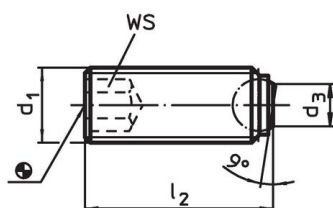
#### Further products

- Ball-Ended Thrust Screws, headless, ball protected against rotating
- Ball-Ended Thrust Screws, headless, round ball
- Ball-Ended Thrust Screws, headless, flat-faced ball

### Drawing



picture 1



picture 2

### Order information

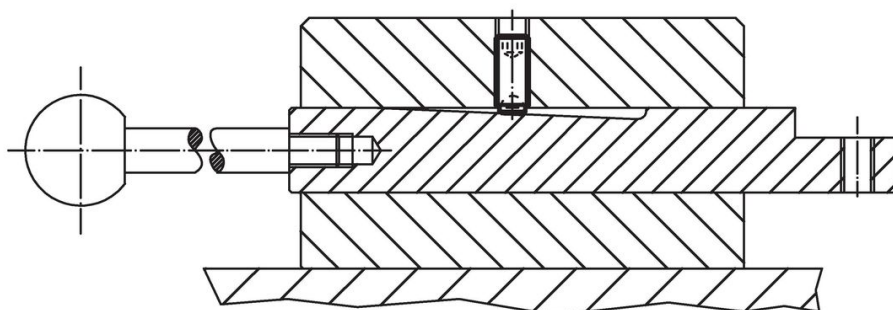
d <sub>1</sub>	Dimensions				WS	Load capacity for static load <sup>1)</sup> max.	max. °C	g	Art. No.
	l <sub>1</sub>	l <sub>2</sub>	d <sub>3</sub>	Ball diameter					
[mm]									
<b>round ball – picture 1, Heat-treated steel</b>									
M4 x 0,35	6.0	–	–	2.5	2.0	3.5	250	0.4	22720.5030
M4 x 0,35	10.0	–	–	2.5	2.0	3.5	250	0.7	22720.5032
M4 x 0,5	6.0	–	–	2.5	2.0	3.5	250	0.3	22720.5040
M4 x 0,5	10.0	–	–	2.5	2.0	3.5	250	0.6	22720.5042
M5 x 0,5	8.0	–	–	3.0	2.5	4.5	250	0.7	22720.5050
M5 x 0,5	12.0	–	–	3.0	2.5	4.5	250	1.2	22720.5052
M6 x 0,5	10.8	–	–	4.0	3.0	9.0	250	1.5	22720.5060
M6 x 0,5	12.8	–	–	4.0	3.0	9.0	250	2.2	22720.5061
M6 x 0,5	16.8	–	–	4.0	3.0	9.0	250	2.7	22720.5062
M6 x 0,5	20.8	–	–	4.0	3.0	9.0	250	3.4	22720.5063
M6 x 0,5	25.8	–	–	4.0	3.0	9.0	250	4.4	22720.5064
M8 x 1	11.2	–	–	5.5	4.0	15.0	250	2.5	22720.5070
M8 x 1	21.2	–	–	5.5	4.0	15.0	250	5.5	22720.5073
<b>round ball – picture 1, Stainless steel</b>									
M4 x 0,35	6.0	–	–	2.5	2.0	3.5	250	0.4	22720.6030
M4 x 0,35	10.0	–	–	2.5	2.0	3.5	250	0.7	22720.6032
M4 x 0,5	6.0	–	–	2.5	2.0	3.5	250	0.3	22720.6040
M4 x 0,5	10.0	–	–	2.5	2.0	3.5	250	0.6	22720.6042

<sup>1)</sup> Statements on load capacity are not valid for the stainless steel type.

d <sub>1</sub>	Dimensions				Ball diameter	WS [mm]	Load capacity for static load <sup>1)</sup> max. [kN]	max. [°C]	max. [g]	Art. No.
	l <sub>1</sub>	l <sub>2</sub>	d <sub>3</sub>	[mm]						
M5 x 0,5	8.0	–	–	3.0	2.5	4.5	250	0.7	22720.6050	
M5 x 0,5	12.0	–	–	3.0	2.5	4.5	250	1.2	22720.6052	
M6 x 0,5	10.8	–	–	4.0	3.0	9.0	250	1.5	22720.6060	
M6 x 0,5	12.8	–	–	4.0	3.0	9.0	250	2.2	22720.6061	
M6 x 0,5	16.8	–	–	4.0	3.0	9.0	250	2.7	22720.6062	
M6 x 0,5	20.8	–	–	4.0	3.0	9.0	250	3.4	22720.6063	
M6 x 0,5	25.8	–	–	4.0	3.0	9.0	250	4.4	22720.6064	
M8 x 1	11.2	–	–	5.5	4.0	15.0	250	2.5	22720.6070	
M8 x 1	21.2	–	–	5.5	4.0	15.0	250	5.5	22720.6073	
<b>flat-faced ball, bearing surface plain – picture 2, Heat-treated steel</b>										
M4 x 0,35	–	5.6	1.3	2.5	2.0	3.5	250	0.3	22720.5230	
M4 x 0,35	–	9.6	1.3	2.5	2.0	3.5	250	0.7	22720.5232	
M4 x 0,5	–	5.6	1.3	2.5	2.0	3.5	250	0.3	22720.5240	
M4 x 0,5	–	9.6	1.3	2.5	2.0	3.5	250	0.6	22720.5242	
M5 x 0,5	–	7.5	2.2	3.0	2.5	4.5	250	0.7	22720.5250	
M5 x 0,5	–	11.5	2.2	3.0	2.5	4.5	250	1.2	22720.5252	
M6 x 0,5	–	10.0	3.2	4.0	3.0	9.0	250	1.5	22720.5260	
M6 x 0,5	–	12.0	3.2	4.0	3.0	9.0	250	1.8	22720.5261	
M6 x 0,5	–	16.0	3.2	4.0	3.0	9.0	250	2.6	22720.5262	
M6 x 0,5	–	20.0	3.2	4.0	3.0	9.0	250	3.4	22720.5263	
M6 x 0,5	–	25.0	3.2	4.0	3.0	9.0	250	4.4	22720.5264	
M8 x 1	–	10.0	4.5	5.5	4.0	15.0	250	2.5	22720.5270	
M8 x 1	–	20.0	4.5	5.5	4.0	15.0	250	5.4	22720.5273	
<b>flat-faced ball, bearing surface plain – picture 2, Stainless steel</b>										
M4 x 0,35	–	5.6	1.3	2.5	2.0	3.5	250	0.3	22720.6230	
M4 x 0,35	–	9.6	1.3	2.5	2.0	3.5	250	0.7	22720.6232	
M4 x 0,5	–	5.6	1.3	2.5	2.0	3.5	250	0.3	22720.6240	
M4 x 0,5	–	9.6	1.3	2.5	2.0	3.5	250	0.6	22720.6242	
M5 x 0,5	–	7.5	2.2	3.0	2.5	4.5	250	0.7	22720.6250	
M5 x 0,5	–	11.5	2.2	3.0	2.5	4.5	250	1.2	22720.6252	
M6 x 0,5	–	10.0	3.2	4.0	3.0	9.0	250	1.5	22720.6260	
M6 x 0,5	–	12.0	3.2	4.0	3.0	9.0	250	1.8	22720.6261	
M6 x 0,5	–	16.0	3.2	4.0	3.0	9.0	250	2.6	22720.6262	
M6 x 0,5	–	20.0	3.2	4.0	3.0	9.0	250	3.4	22720.6263	
M6 x 0,5	–	25.0	3.2	4.0	3.0	9.0	250	4.4	22720.6264	
M8 x 1	–	10.0	4.5	5.5	4.0	15.0	250	2.5	22720.6270	
M8 x 1	–	20.0	4.5	5.5	4.0	15.0	250	5.4	22720.6273	

<sup>1)</sup> Statements on load capacity are not valid for the stainless steel type.

### Application example



### Compliance

For detailed compliance information please select the desired article number.