

## Ball-Ended Thrust Screws • headed, round ball

EH 22710.



### Product Description

Ball-ended thrust screws can also be used for positioning and clamping, tightening or supporting of non-parallel surfaces.

### Material

#### Ball

- Ball-bearing steel, hardened
- Stainless steel, hardened

#### Screw

- Heat-treated steel, 1200 ±100 N/mm<sup>2</sup>
- Stainless steel 1.4305

### More information

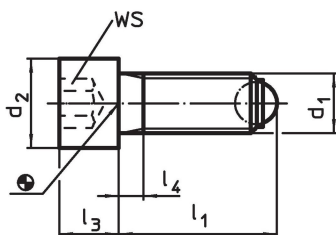
#### Notes

Customized design on request.

#### References

Thread lock on request, please refer to appendix - Technical Data -


### Drawing



### Order information

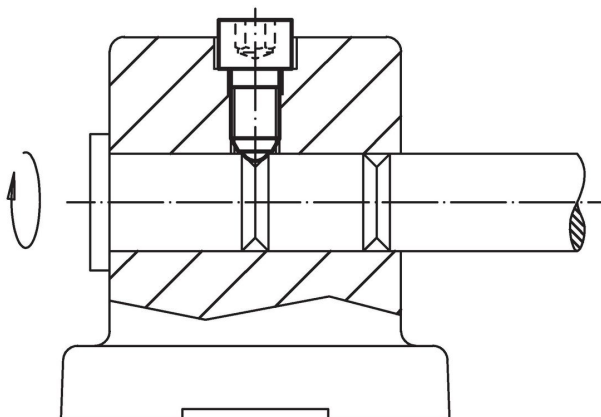
d <sub>1</sub>	l <sub>1</sub>	Dimensions			Ball diameter	WS	Load capacity for static load <sup>1)</sup> max.	[g]	Art. No.
		d <sub>2</sub>	l <sub>3</sub>	l <sub>4</sub>					
<b>round ball, Heat-treated steel</b>									
M 6	20.8	10	6	3.0	4.0	5	9	6.1	<a href="#">22710.0062</a>
M 6	30.8	10	6	3.0	4.0	5	9	7.9	<a href="#">22710.0064</a>
M 6	40.8	10	6	16.0	4.0	5	9	9.9	<a href="#">22710.0066</a>
M 8	21.2	13	8	3.5	5.5	6	15	13.0	<a href="#">22710.0082</a>
M 8	36.2	13	8	3.5	5.5	6	15	17.0	<a href="#">22710.0084</a>
M 8	51.2	13	8	22.0	5.5	6	15	23.0	<a href="#">22710.0086</a>
M10	26.7	16	10	4.5	7.0	8	20	24.0	<a href="#">22710.0102</a>
M10	41.7	16	10	4.5	7.0	8	20	32.0	<a href="#">22710.0104</a>
M10	61.7	16	10	28.0	7.0	8	20	44.0	<a href="#">22710.0106</a>
M12	32.0	18	12	5.0	8.5	10	30	39.0	<a href="#">22710.0122</a>
M12	52.0	18	12	5.0	8.5	10	30	52.0	<a href="#">22710.0124</a>
M12	82.0	18	12	44.0	8.5	10	30	80.0	<a href="#">22710.0126</a>
M16	43.3	24	16	6.0	12.0	14	60	94.0	<a href="#">22710.0162</a>
M16	63.3	24	16	6.0	12.0	14	60	122.0	<a href="#">22710.0164</a>
M16	83.3	24	16	36.0	12.0	14	60	154.0	<a href="#">22710.0166</a>
M20	54.2	30	20	7.5	15.0	17	90	186.0	<a href="#">22710.0202</a>
M20	84.2	30	20	28.0	15.0	17	90	255.0	<a href="#">22710.0204</a>
M20	104.2	30	20	48.0	15.0	17	90	306.0	<a href="#">22710.0206</a>
M24	64.7	36	24	9.0	18.0	19	120	327.0	<a href="#">22710.0242</a>
M24	94.7	36	24	30.0	18.0	19	120	428.0	<a href="#">22710.0244</a>
M24	124.7	36	24	60.0	18.0	19	120	532.0	<a href="#">22710.0246</a>
<b>round ball, Stainless steel</b>									
M 6	20.8	10	6	3.0	4.0	5	9	6.1	<a href="#">22710.0752</a>
M 6	30.8	10	6	3.0	4.0	5	9	7.9	<a href="#">22710.0754</a>
M 6	40.8	10	6	16.0	4.0	5	9	9.9	<a href="#">22710.0756</a>
M 8	21.2	13	8	3.5	5.5	6	15	13.0	<a href="#">22710.0762</a>
M 8	36.2	13	8	3.5	5.5	6	15	17.0	<a href="#">22710.0764</a>
M 8	51.2	13	8	22.0	5.5	6	15	23.0	<a href="#">22710.0766</a>

<sup>1)</sup> Statements on load capacity are not valid for the stainless steel type.

d <sub>1</sub>	l <sub>1</sub> ~	Dimensions			Ball diameter	WS	Load capacity for static load <sup>1)</sup> max.		Art. No.
		d <sub>2</sub>	l <sub>3</sub>	l <sub>4</sub>					
M10	26.7	16	10	4.5	7.0	8	20	24.0	<a href="#">22710.0772</a>
M10	41.7	16	10	4.5	7.0	8	20	32.0	<a href="#">22710.0774</a>
M10	61.7	16	10	28.0	7.0	8	20	44.0	<a href="#">22710.0776</a>
M12	32.0	18	12	5.0	8.5	10	30	39.0	<a href="#">22710.0782</a>
M12	52.0	18	12	5.0	8.5	10	30	52.0	<a href="#">22710.0784</a>
M12	82.0	18	12	44.0	8.5	10	30	80.0	<a href="#">22710.0786</a>
M16	43.3	24	16	6.0	12.0	14	60	94.0	<a href="#">22710.0792</a>
M16	63.3	24	16	6.0	12.0	14	60	122.0	<a href="#">22710.0794</a>
M16	83.3	24	16	36.0	12.0	14	60	154.0	<a href="#">22710.0796</a>

<sup>1)</sup> Statements on load capacity are not valid for the stainless steel type.

### Application example



### Compliance

#### RoHS compliant

Compliant according to Directive 2011/65/EU and Directive 2015/863.

#### Does not contain SVHC substances

No SVHC substances with more than 0.1% w/w contained - SVHC list [REACH] as of 27.06.2024.

#### Does not contain Proposition 65 substances

No Proposition 65 substances included.

<https://www.P65Warnings.ca.gov/>

#### Free from Conflict Minerals

This product does not contain any substances designated as "conflict minerals" such as tantalum, tin, gold or tungsten from the Democratic Republic of Congo or adjacent countries.