

Thrust Pads · plastic
EH 22570.



Product Description

The plastic thrust pads (EH 22570.) can be combined with ball-headed grub screws (EH 22570.).

Material

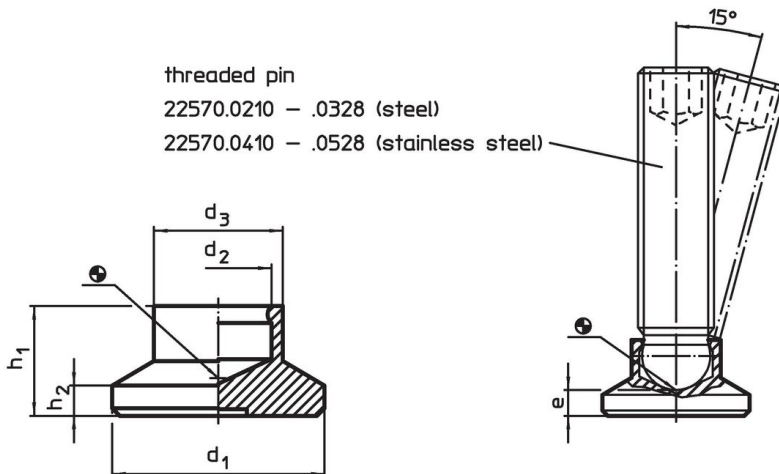
- Thermoplastic POM, black, dull

More information

Further products

- Grub Screws, ball-headed
- Seating Elements, with plastic bearing surface, orienting

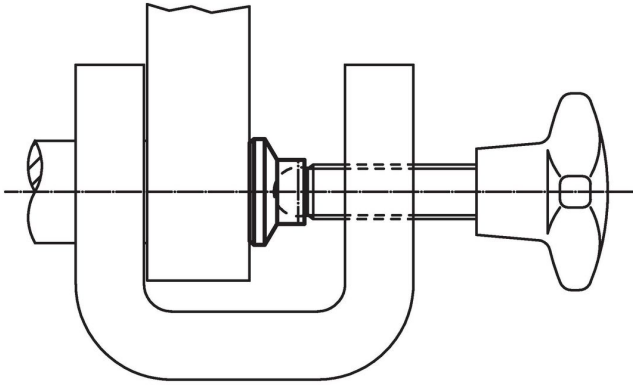
Drawing



Order information

d ₁	d ₂	Dimensions				h ₁	h ₂	Load capacity for static load max.	For grub screws EH 22570.	Temperature		Weight	Art. No.	
		d ₃	e	[mm]						min.	max.			[g]
											[kN]	[mm]	[°C]	
15	4.5	8.6	3.6	7.6	2.5	3.5	M 6	-30	80	1.1	22570.0014			
15	6.1	8.6	2.5	7.6	2.5	3.5	M 8	-30	80	1.0	22570.0015			
18	6.1	10.8	4.2	9.2	2.5	3.5	M 8	-30	80	1.7	22570.0017			
18	7.8	10.8	3.4	9.2	2.5	3.5	M10	-30	80	2.0	22570.0018			
21	6.1	12.8	5.0	10.0	3.0	3.5	M 8	-30	80	3.0	22570.0019			
21	7.8	12.8	4.3	10.0	3.0	3.5	M10	-30	80	2.6	22570.0020			
21	9.4	12.8	3.4	10.0	3.0	3.5	M12	-30	80	2.4	22570.0021			
25	6.1	13.0	5.5	10.5	3.0	3.5	M 8	-30	80	4.0	22570.0023			
25	7.8	13.0	4.6	10.5	3.0	3.5	M10	-30	80	3.6	22570.0024			
25	9.4	13.0	3.6	10.5	3.0	3.5	M12	-30	80	3.4	22570.0025			
32	6.1	14.0	6.0	11.0	3.0	3.5	M 8	-30	80	6.4	22570.0032			
32	7.8	14.0	5.0	11.0	3.0	3.5	M10	-30	80	5.0	22570.0033			
32	9.4	14.0	4.2	11.0	3.0	3.5	M12	-30	80	5.0	22570.0034			
40	6.1	16.0	8.0	13.0	4.0	3.5	M 8	-30	80	11.0	22570.0040			
40	7.8	16.0	7.0	13.0	4.0	3.5	M10	-30	80	10.0	22570.0041			
40	9.4	16.0	6.2	13.0	4.0	3.5	M12	-30	80	10.0	22570.0042			

Application example



Compliance

RoHS compliant

Compliant according to Directive 2011/65/EU and Directive 2015/863.

Does not contain SVHC substances

No SVHC substances with more than 0.1% w/w contained - SVHC list [REACH] as of 23.01.2024.

Does not contain Proposition 65 substances

No Proposition 65 substances included.

<https://www.P65Warnings.ca.gov/>

Free from Conflict Minerals

This product does not contain any substances designated as "conflict minerals" such as tantalum, tin, gold or tungsten from the Democratic Republic of Congo or adjacent countries.