

Clamp Lock Pins · with button handle

EH 22410. /EH 22420.



Product Description

For rapid fastening, locking, adjusting, replacing, and securing in blind holes (H11) without additional locating bushings.

Quick and easy to release for connections which are made repeatedly. Flexible use because the balls are clamped between bolt and hole.

All versions are corrosion resistant. When using stainless steel 1.4542: high-strength, hardened, abrasion resistant pin with high load capacity.

Material

Pin part

- Stainless steel 1.4305
- Stainless steel 1.4542, precipitation-hardened

Handle

- Aluminium, black similar to RAL 9005

Press button

- Case-hardened steel, nitrided, yellow similar to RAL 1016

Spring

- Stainless steel

Assembly

Simple H11 boreholes are sufficient.

Mounting:

1. Press in the button and hold it down
2. Insert the lifting pin
3. Release the button (The button must be back in its original position)

Dismantling:

1. Press in the button and hold it down.
2. Remove the lifting pin.
3. Release the button.

Operation

Clamp lock pins can be used in blind holes. The holding forces achieved in an H11 borehole depends on the material of the counterpart:

- Steel, hardened - min. 30 N
- Steel, soft - min. 120 N
- Stainless steel, soft - min. 120 N
- Al, aluminum alloy - min. 250 N

More information

Notes

Special types on request.

The clamp lock pin must not be used for lifting loads.

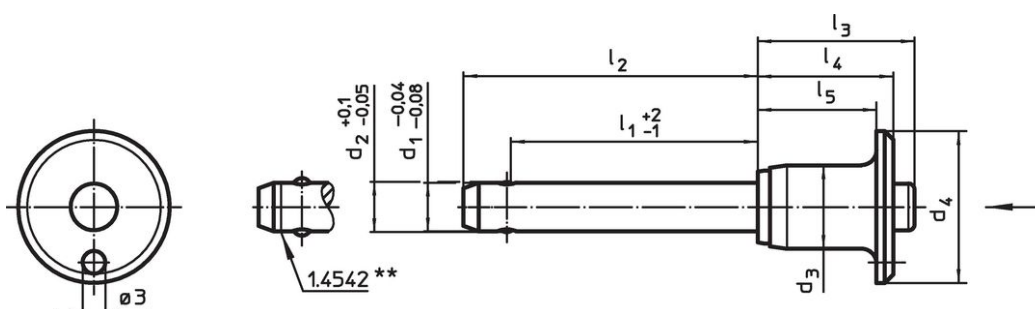
Accessories

Can easily be fitted with retaining cable EH 22400.

Further products

- Retaining Cables

Drawing



** Types from stainless steel 1.4542 with marking.

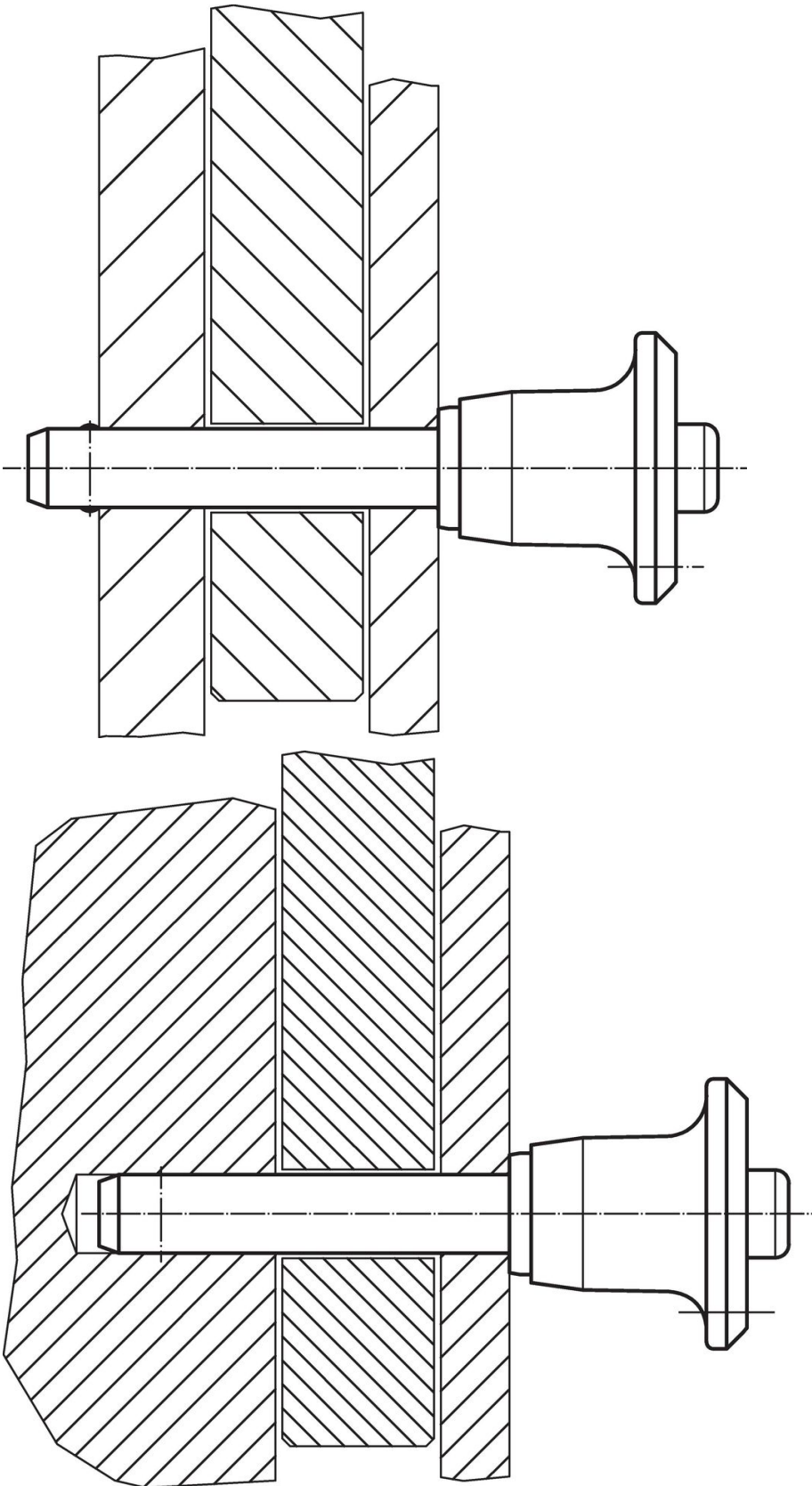
Order information

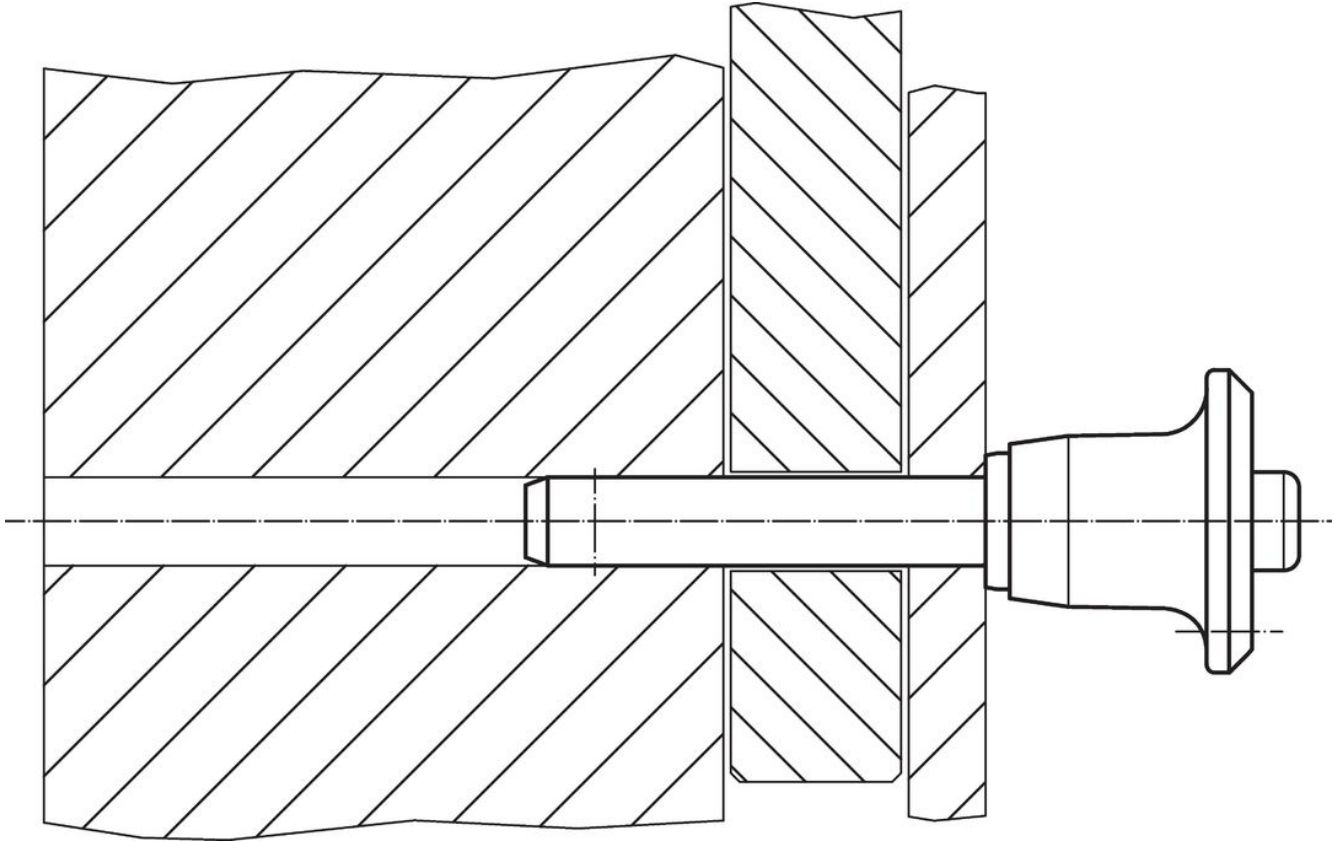
Dimensions										Holding force ¹⁾ min. Steel, soft	Location hole H11	Temperature		Weight	Shearing resistance, two-shear ²⁾ min.	Art. No.
d ₁	l ₁	d ₂	d ₃	d ₄	l ₂	l ₃	l ₄	l ₅	[N]			[mm]	min.			
-0.04	+2	+0.1														
-0.08	-1	-0.05														
[mm]												[°C]				
Stainless steel 1.4305																
6	10	6.2	11.3	20	17.4	20.7	17.6	14.6	120	6	-30	150	13	21	22410.0022	
6	20	6.2	11.3	20	27.4	20.7	17.6	14.6	120	6	-30	150	15	21	22410.0024	
6	40	6.2	11.3	20	47.4	20.7	17.6	14.6	120	6	-30	150	19	21	22410.0028	
6	60	6.2	11.3	20	67.4	20.7	17.6	14.6	120	6	-30	150	23	21	22410.0032	
8	10	8.3	14.1	25	18.6	27.3	22.6	18.6	120	8	-30	150	25	38	22410.0042	
8	20	8.3	14.1	25	28.6	27.3	22.6	18.6	120	8	-30	150	29	38	22410.0044	
8	40	8.3	14.1	25	48.6	27.3	22.6	18.6	120	8	-30	150	36	38	22410.0048	
8	60	8.3	14.1	25	68.6	27.3	22.6	18.6	120	8	-30	150	43	38	22410.0052	
8	80	8.3	14.1	25	88.6	27.3	22.6	18.6	120	8	-30	150	51	38	22410.0056	
10	20	10.3	14.1	25	30.0	27.3	22.6	18.6	120	10	-30	150	35	60	22410.0062	
10	40	10.3	14.1	25	50.0	27.3	22.6	18.6	120	10	-30	150	47	60	22410.0066	
10	60	10.3	14.1	25	70.0	27.3	22.6	18.6	120	10	-30	150	59	60	22410.0070	
10	80	10.3	14.1	25	90.0	27.3	22.6	18.6	120	10	-30	150	70	60	22410.0072	
10	100	10.3	14.1	25	110.0	27.3	22.6	18.6	120	10	-30	150	82	60	22410.0074	
12	20	12.3	17.7	35	31.0	33.2	27.3	22.3	120	12	-30	150	66	87	22410.0082	
12	40	12.3	17.7	35	51.0	33.2	27.3	22.3	120	12	-30	150	82	87	22410.0086	
12	60	12.3	17.7	35	71.0	33.2	27.3	22.3	120	12	-30	150	100	87	22410.0090	
12	80	12.3	17.7	35	91.0	33.2	27.3	22.3	120	12	-30	150	117	87	22410.0092	
12	100	12.3	17.7	35	111.0	33.2	27.3	22.3	120	12	-30	150	134	87	22410.0094	
16	30	16.5	23.4	40	44.4	42.2	34.5	28.5	120	16	-30	150	150	155	22410.0102	
16	60	16.5	23.4	40	74.4	42.2	34.5	28.5	120	16	-30	150	196	155	22410.0107	
16	90	16.5	23.4	40	104.4	42.2	34.5	28.5	120	16	-30	150	242	155	22410.0110	
16	120	16.5	23.4	40	134.4	42.2	34.5	28.5	120	16	-30	150	290	155	22410.0113	
Stainless steel 1.4542, precipitation-hardened																
6	10	6.2	11.3	20	17.4	20.7	17.6	14.6	120	6	-30	150	13	35	22420.0022	
6	20	6.2	11.3	20	27.4	20.7	17.6	14.6	120	6	-30	150	15	35	22420.0024	
6	40	6.2	11.3	20	47.4	20.7	17.6	14.6	120	6	-30	150	19	35	22420.0028	
6	60	6.2	11.3	20	67.4	20.7	17.6	14.6	120	6	-30	150	23	35	22420.0032	
8	10	8.3	14.1	25	18.6	27.3	22.6	18.6	120	8	-30	150	25	63	22420.0042	
8	20	8.3	14.1	25	28.6	27.3	22.6	18.6	120	8	-30	150	29	63	22420.0044	
8	40	8.3	14.1	25	48.6	27.3	22.6	18.6	120	8	-30	150	36	63	22420.0048	
8	60	8.3	14.1	25	68.6	27.3	22.6	18.6	120	8	-30	150	43	63	22420.0052	
8	80	8.3	14.1	25	88.6	27.3	22.6	18.6	120	8	-30	150	51	63	22420.0056	
10	20	10.3	14.1	25	30.0	27.3	22.6	18.6	120	10	-30	150	35	100	22420.0062	
10	40	10.3	14.1	25	50.0	27.3	22.6	18.6	120	10	-30	150	47	100	22420.0066	
10	60	10.3	14.1	25	70.0	27.3	22.6	18.6	120	10	-30	150	59	100	22420.0070	
10	80	10.3	14.1	25	90.0	27.3	22.6	18.6	120	10	-30	150	70	100	22420.0072	
10	100	10.3	14.1	25	110.0	27.3	22.6	18.6	120	10	-30	150	82	100	22420.0074	
12	20	12.3	17.7	35	31.0	33.2	27.3	22.3	120	12	-30	150	66	144	22420.0082	
12	40	12.3	17.7	35	51.0	33.2	27.3	22.3	120	12	-30	150	82	144	22420.0086	
12	60	12.3	17.7	35	71.0	33.2	27.3	22.3	120	12	-30	150	100	144	22420.0090	
12	80	12.3	17.7	35	91.0	33.2	27.3	22.3	120	12	-30	150	117	144	22420.0092	
12	100	12.3	17.7	35	111.0	33.2	27.3	22.3	120	12	-30	150	134	144	22420.0094	
16	30	16.5	23.4	40	44.4	42.2	34.5	28.5	120	16	-30	150	150	257	22420.0102	
16	60	16.5	23.4	40	74.4	42.2	34.5	28.5	120	16	-30	150	196	257	22420.0107	
16	90	16.5	23.4	40	104.4	42.2	34.5	28.5	120	16	-30	150	242	257	22420.0110	
16	120	16.5	23.4	40	134.4	42.2	34.5	28.5	120	16	-30	150	290	257	22420.0113	

¹⁾ The holding force depends on the material of the counterpart - for further values see "operation".

²⁾ Shearing resistance similar to DIN 50141

Application example





Compliance

Non-RoHS compliant

Not compliant according to Directive 2011/65/EU and Directive 2015/863.

Contains SVHC substances >0,1% w/w

Contains lead - SVHC list [REACH] as of 23.01.2024.

Contains Proposition 65 substances



Lead can cause cancer and reproductive harm from exposure
<https://www.P65Warnings.ca.gov/>

Free from Conflict Minerals

This product does not contain any substances designated as "conflict minerals" such as tantalum, tin, gold or tungsten from the Democratic Republic of Congo or adjacent countries.