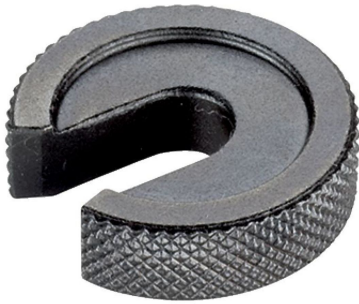


C-Washers • DIN 6372

EH 22290.



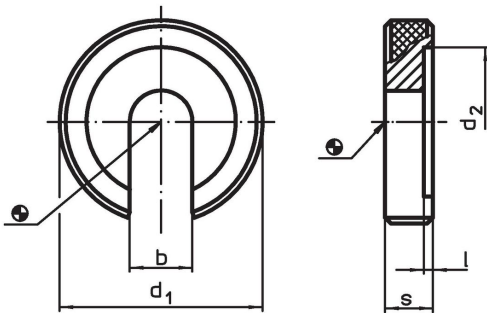
Product Description

The c-washers (slotted washers) are manufactured according to DIN 6372. For better handling, the c-washers have a knurling all around.

Material

- Heat-treated steel, tempered, blackened

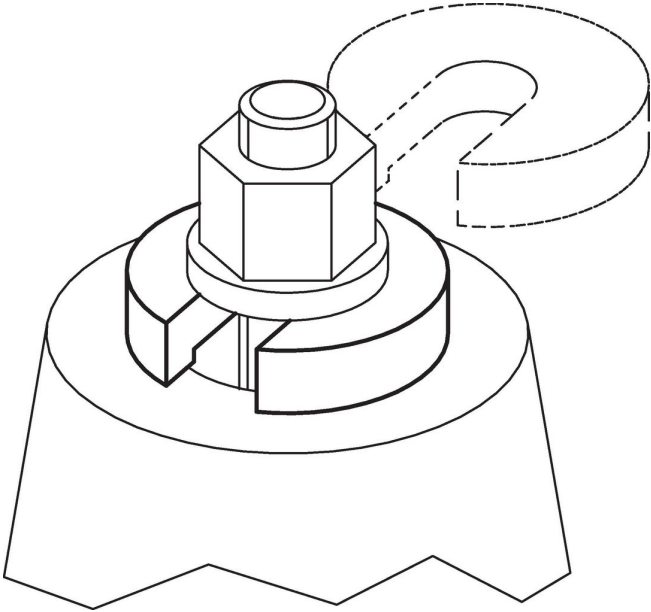
Drawing



Order information

Nominal size [mm]	Dimensions					[g]	Art. No.
	b	d ₁	d ₂ [mm]	l	s		
6	6.4	22	16	0.8	6	13	22290.0006
8	8.4	28	21	1.0	7	24	22290.0008
10	10.5	34	25	1.2	8	38	22290.0010
12	13.0	40	30	1.8	9	57	22290.0012
16	17.0	56	37	1.8	12	164	22290.0016
20	21.0	64	45	2.0	14	241	22290.0020
24	25.0	75	52	2.0	16	376	22290.0024
30	31.0	90	65	2.0	18	610	22290.0030
36	37.0	100	75	2.5	20	796	22290.0036

Application example



Compliance

RoHS compliant

Compliant according to Directive 2011/65/EU and Directive 2015/863.

Does not contain SVHC substances

No SVHC substances with more than 0.1% w/w contained - SVHC list [REACH] as of 27.06.2024.

Does not contain Proposition 65 substances

No Proposition 65 substances included.

<https://www.P65Warnings.ca.gov/>

Free from Conflict Minerals

This product does not contain any substances designated as "conflict minerals" such as tantalum, tin, gold or tungsten from the Democratic Republic of Congo or adjacent countries.