

Lateral Plungers · with thread, without seal, with female thread

EH 22150.



Product Description

To be used for positioning and applying pressure, e.g. during painting and sandblasting.

Material

Body

- Steel, zinc-plated

Threaded washer

- Steel, blackened

Spring

- Stainless steel
- Steel, blackened
- Steel, zinc-plated by galvanization

Assembly

Formula for calculating the center distance for the mounting hole:

$$l_0 = z/2 + w + x,$$

l_0 = center distance,

y = workpiece height,

w = workpiece length,

x = stroke,

z = stop diameter

Calculation dimension x for workpieces:

$$x = d_2/2 - s$$

Lateral plungers are installed by screwing in by means of a mounting tool.

Characteristic

Version light spring load = spring from stainless steel

Version standard spring load = spring from steel, blackened

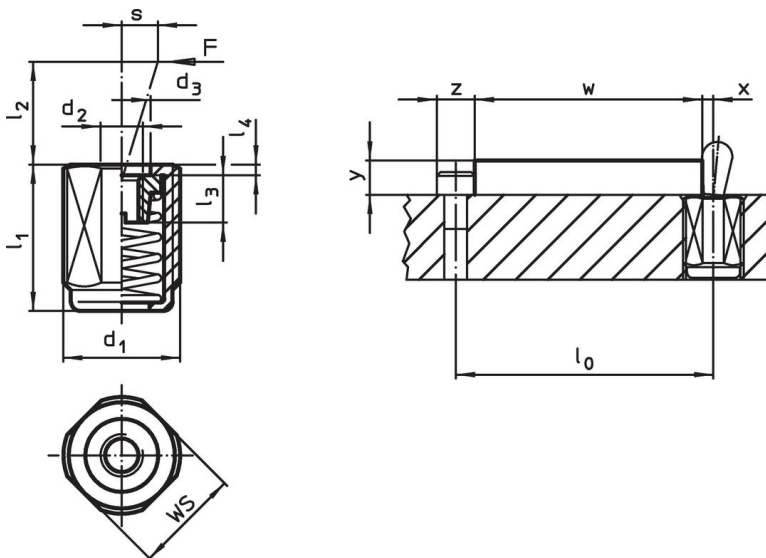
Version heavy spring load = spring from steel, zinc-plated by galvanization

More information

Notes

Individual set screws can be screwed in the plate with threaded hole.

Drawing




Order information

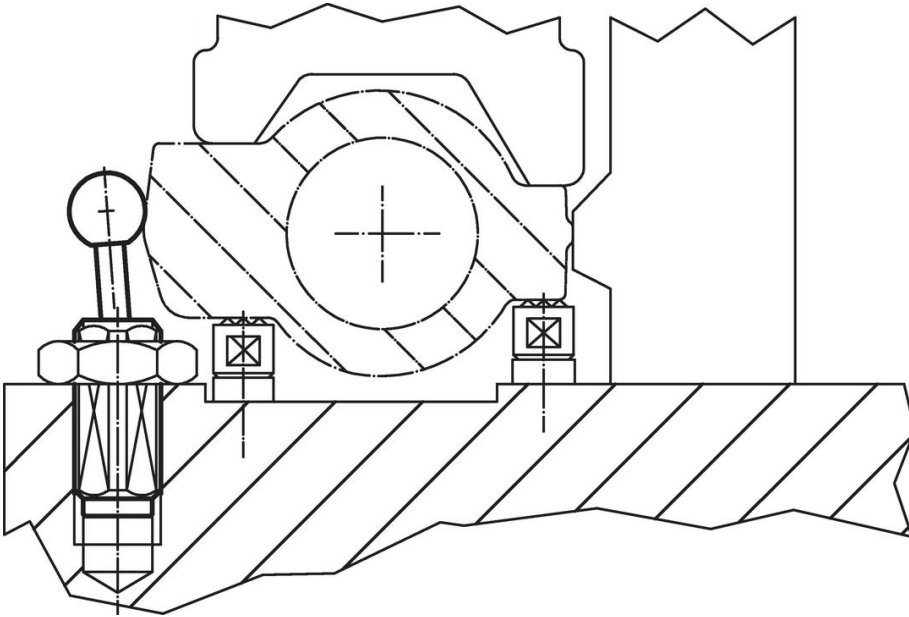
Dimensions		Spring load F max. ¹⁾ ~ [N]	d ₂	d ₃	Dimensions			Stroke s [mm]	WS [mm]	🌡️ max. [°C]	🏋️ [g]	Art. No.
d ₁ [mm]	l ₁ -2				l ₂ [mm]	l ₃	l ₄					
Light spring load												
M12	11.5	20	M4	6.1	6.7	4.5	1.5	0.8	10	250	3.2	22150.1310
M12	19.0	20	M4	6.1	6.7	4.5	1.5	0.8	10	250	5.1	22150.1314
M12	26.5	20	M4	6.1	6.7	4.5	1.5	0.8	10	250	6.9	22150.1318
M12	11.5	40	M4	6.1	10.7	4.5	1.5	1.0	10	250	3.3	22150.1330
M12	19.0	40	M4	6.1	10.7	4.5	1.5	1.0	10	250	5.2	22150.1334
M12	26.5	40	M4	6.1	10.7	4.5	1.5	1.0	10	250	6.9	22150.1338
M18 x 1,5	18.0	100	M6	10.1	16.7	7.5	1.5	1.6	16	250	15.0	22150.1350
M18 x 1,5	31.5	100	M6	10.1	16.7	7.5	1.5	1.6	16	250	23.0	22150.1354
M18 x 1,5	45.0	100	M6	10.1	16.7	7.5	1.5	1.6	16	250	32.0	22150.1358
Standard spring load												
M12	11.5	50	M4	6.1	6.7	4.5	1.5	0.8	10	250	3.5	22150.1311
M12	19.0	50	M4	6.1	6.7	4.5	1.5	0.8	10	250	5.6	22150.1315
M12	26.5	50	M4	6.1	6.7	4.5	1.5	0.8	10	250	7.5	22150.1319
M12	11.5	75	M4	6.1	10.7	4.5	1.5	1.0	10	250	3.5	22150.1331
M12	19.0	75	M4	6.1	10.7	4.5	1.5	1.0	10	250	5.6	22150.1335
M12	26.5	75	M4	6.1	10.7	4.5	1.5	1.0	10	250	7.7	22150.1339
M18 x 1,5	18.0	150	M6	10.1	16.7	7.5	1.5	1.6	16	250	15.0	22150.1351
M18 x 1,5	31.5	150	M6	10.1	16.7	7.5	1.5	1.6	16	250	23.0	22150.1355
M18 x 1,5	45.0	150	M6	10.1	16.7	7.5	1.5	1.6	16	250	32.0	22150.1359
Heavy spring load												
M12	11.5	100	M4	6.1	6.7	4.5	1.5	0.8	10	250	3.7	22150.1312
M12	19.0	100	M4	6.1	6.7	4.5	1.5	0.8	10	250	6.0	22150.1316
M12	26.5	100	M4	6.1	6.7	4.5	1.5	0.8	10	250	8.2	22150.1320
M12	11.5	100	M4	6.1	10.7	4.5	1.5	1.0	10	250	3.9	22150.1332
M12	19.0	100	M4	6.1	10.7	4.5	1.5	1.0	10	250	6.5	22150.1336
M12	26.5	100	M4	6.1	10.7	4.5	1.5	1.0	10	250	8.6	22150.1340
M18 x 1,5	18.0	200	M6	10.1	16.7	7.5	1.5	1.6	16	250	14.0	22150.1352
M18 x 1,5	31.5	200	M6	10.1	16.7	7.5	1.5	1.6	16	250	24.0	22150.1356
M18 x 1,5	45.0	200	M6	10.1	16.7	7.5	1.5	1.6	16	250	34.0	22150.1360

¹⁾ statistical average value

Accessories

	Dimensions d ₁ [mm]	🏋️ [g]	Art. No.
assembly tool			
	M12	76	22150.0820
	M18 x 1,5	137	22150.0822

Application example



Compliance

For detailed compliance information please select the desired article number.