

## Index Bolts • simple finish

EH 22121.



### Product Description

Index bolts are used for indexing purposes. Application limited for cases in which no precise positioning is needed. The high stroke of the pin enables for a variety of applications, e.g. as door bolt. Simple version in compact design.

### Material

#### Body

- Free cutting steel, zinc-plated by galvanization

#### Locking pin

- Steel, zinc-plated by galvanization

#### Lock nut

- Steel, zinc-plated by galvanization

### Operation

By lifting the index bolt the locking pin will be pulled in. The turning of the index bolt positions the pin when it is pulled in.

### More information

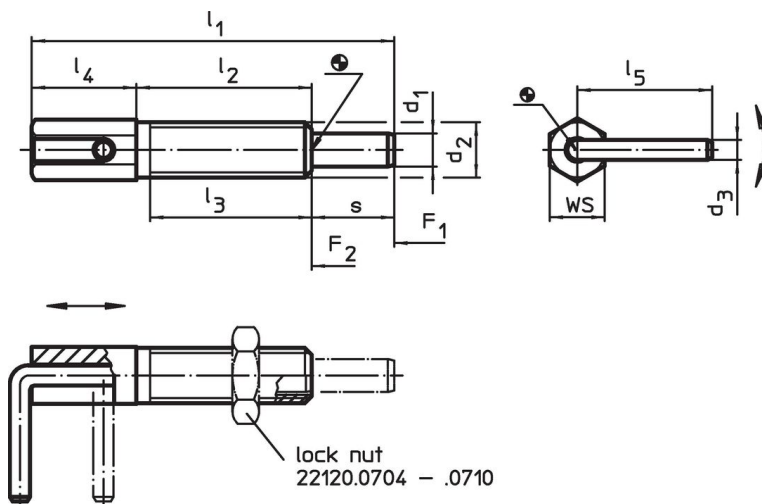
### Notes

Lock nuts have to be purchased separately.

### Further products

- Locating Bushings, for index bolts and index plungers

### Drawing





### Order information

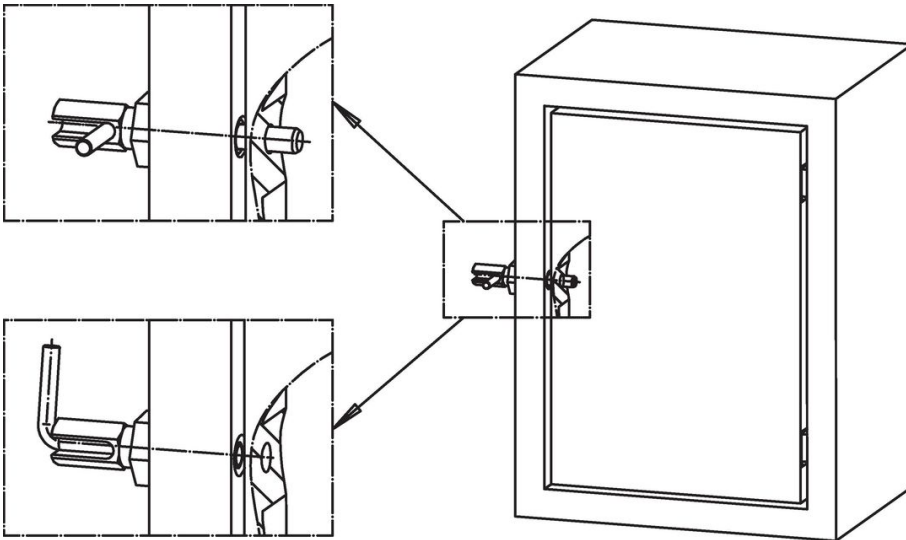
Dimensions									WS	Spring load <sup>1)</sup>		Tightening torque max.	max.		Art. No.
d <sub>1</sub>	d <sub>2</sub>	d <sub>3</sub>	l <sub>1</sub>	l <sub>2</sub>	l <sub>3</sub>	l <sub>4</sub>	l <sub>5</sub>	s		F <sub>1</sub> ~	F <sub>2</sub> ~				
[mm]									[mm]	[N]		[Nm]	[°C]	[g]	
4	M 6	2.3	41.5	20.0	17.0	12.0	15.5	9.5	6	3.0	10.0	1.6	250	5.9	<a href="#">22121.0105</a>
5	M 8	3.0	54.0	27.0	24.0	15.0	19.2	12.0	8	3.5	13.5	4.5	250	14.0	<a href="#">22121.0110</a>
6	M10	3.5	65.0	33.5	30.0	17.5	22.9	14.0	10	4.0	16.0	10.0	250	26.0	<a href="#">22121.0115</a>
8	M12	4.7	73.0	31.8	28.0	22.2	31.2	19.0	12	4.0	22.0	13.0	250	43.0	<a href="#">22121.0120</a>
10	M16	4.7	102.5	50.5	44.5	27.0	32.7	25.0	16	4.0	23.0	42.0	250	104.0	<a href="#">22121.0125</a>

<sup>1)</sup> statistical average value

Accessories

	Dimensions d <sub>2</sub> [mm]	Wrench size [mm]	 [g]	Art. No.
<b>Steel</b>				
	M 6	10	1.3	<a href="#">22120.0704</a>
	M 8	13	2.8	<a href="#">22120.0705</a>
	M10	16	5.3	<a href="#">22120.0706</a>
	M12	18	7.6	<a href="#">22120.0708</a>
	M16	24	18.0	<a href="#">22120.0710</a>

Application example



Compliance

For detailed compliance information please select the desired article number.