

## Index Plungers • without hexagon collar, stainless steel EH 22120.



### Product Description

Index plungers are used for indexing bores.

#### Material

##### Body

- Stainless steel 1.4305

##### Locking pin

- Stainless steel 1.4305, nickel-plated

##### Knob

- Stainless steel 1.4305

#### Assembly

Suitable mounting tools are available.

#### More information

#### Notes

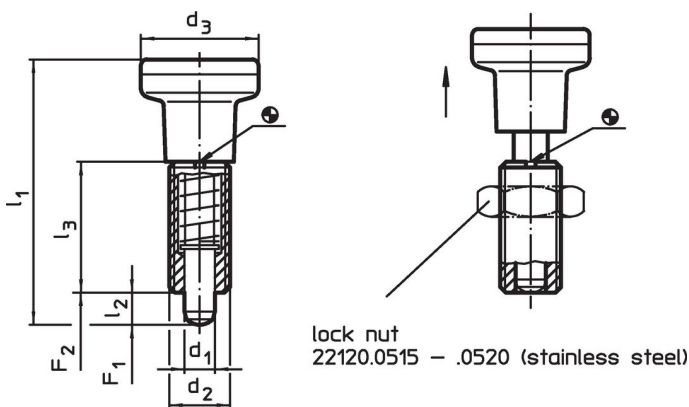
Knob not removable.

Lock nuts have to be purchased separately.

#### Further products

- Mounting Blocks, for index bolts and index plungers, die-cast
- Distance Collars, for index plungers

### Drawing





## Order information

d <sub>1</sub> -0.02 -0.05	d <sub>2</sub>	Dimensions				Spring load <sup>1)</sup>		max. [°C]	[g]	Art. No.
		d <sub>3</sub> [mm]	l <sub>1</sub> ~	l <sub>2</sub> min.	l <sub>3</sub>	F <sub>1</sub> ~ [N]	F <sub>2</sub> ~			
<b>Stainless steel</b>										
5	M10 x 1	21	45.0	5	22	6.0	14	250	36	<a href="#">22120.0475</a>
6	M12 x 1,5	25	54.5	6	26	6.5	19	250	62	<a href="#">22120.0476</a>
8	M16 x 1,5	31	69.0	8	34	11.5	28	250	124	<a href="#">22120.0478</a>
10	M20 x 1,5	31	80.0	10	41	23.0	54	250	165	<a href="#">22120.0480</a>

<sup>1)</sup> statistical average value

## Accessories

	Dimensions d <sub>2</sub> [mm]	Wrench size [mm]	[g]	Art. No.
<b>Lock nuts ISO 8675 (DIN 439), Stainless steel</b>				
	M10 x 1	16	5.2	<a href="#">22120.0515</a>
	M12 x 1,5	18	7.5	<a href="#">22120.0516</a>
	M16 x 1,5	24	15.0	<a href="#">22120.0518</a>
	M20 x 1,5	30	32.0	<a href="#">22120.0520</a>
<b>assembly tool, Steel</b>				
	M10 x 1	-	9.3	<a href="#">22120.0955</a>
	M12 x 1,5	-	14.0	<a href="#">22120.0956</a>
	M16 x 1,5	-	25.0	<a href="#">22120.0958</a>
	M20 x 1,5	-	27.0	<a href="#">22120.0960</a>

## Compliance

For detailed compliance information please select the desired article number.