

Index Plungers • with hexagon collar and locking

EH 22120.



Product Description

Index plungers are used for indexing bores.

Material

Body

- Free cutting steel, blackened
- Stainless steel 1.4305

Locking pin

- Steel, hardened
- Stainless steel 1.4305, nickel-plated

Knob

- Thermoplastic PA 6, black, dull

Assembly

The screw length can be adapted by distance collars for index plungers (EH 22120.).

Operation

The knob is pulled-out, turned 90° and secured by a notched catch (when locking pin should not overhang).

More information

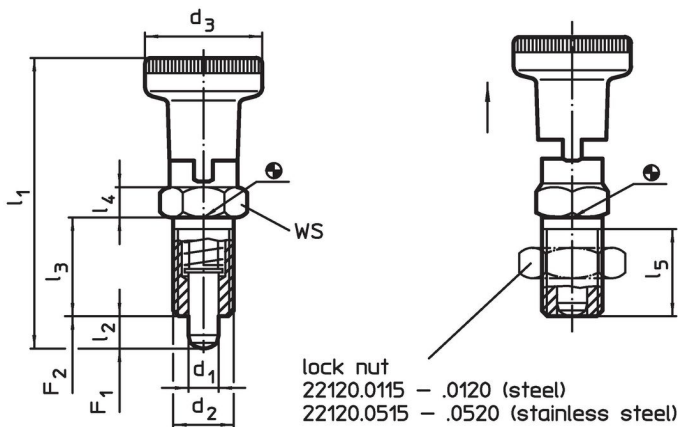
Notes

Knob not removable.
Lock nuts have to be purchased separately.

Further products

- Mounting Blocks, for index bolts and index plungers, die-cast
- Locating Bushings, for index bolts and index plungers
- Distance Collars, for index plungers

Drawing






Order information

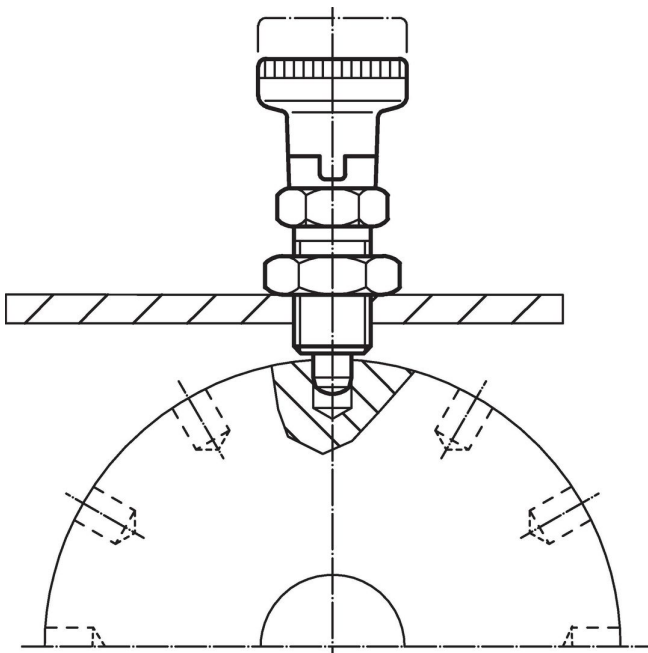
| Dimensions | | | | | | | | WS | Spring load ¹⁾ | | Temperature | | Weight | Art. No. |
|---------------------------|----------------|----------------|----------------|------------------------|----------------|----------------|------------------------|------|---------------------------|----------------|-------------|------|--------|------------|
| d ₁ | d ₂ | d ₃ | l ₁ | l ₂ min. | l ₃ | l ₄ | l ₅ min. | | F ₁ | F ₂ | min. | max. | | |
| -0.02 -0.05 | | | ~ | | | | | ~ | ~ | | | | | |
| [mm] | | | | | | | | [mm] | [N] | | [°C] | | [g] | |
| Free cutting steel | | | | | | | | | | | | | | |
| 5 | M10 x 1 | 21 | 51.0 | 5 | 17 | 5 | 15 | 12 | 6.0 | 14 | -30 | 80 | 21 | 22120.0205 |
| 6 | M12 x 1,5 | 25 | 61.0 | 6 | 20 | 6 | 17 | 14 | 6.5 | 19 | -30 | 80 | 36 | 22120.0206 |
| 8 | M16 x 1,5 | 31 | 75.5 | 7 | 26 | 8 | 23 | 19 | 11.5 | 28 | -30 | 80 | 79 | 22120.0208 |
| 10 | M20 x 1,5 | 31 | 91.0 | 10 | 33 | 10 | 30 | 22 | 28.0 | 54 | -30 | 80 | 134 | 22120.0210 |
| Stainless steel | | | | | | | | | | | | | | |
| 5 | M10 x 1 | 21 | 51.0 | 5 | 17 | 5 | 15 | 12 | 6.0 | 14 | -30 | 80 | 21 | 22120.0605 |
| 6 | M12 x 1,5 | 25 | 61.0 | 6 | 20 | 6 | 17 | 14 | 6.5 | 19 | -30 | 80 | 36 | 22120.0606 |
| 8 | M16 x 1,5 | 31 | 75.5 | 7 | 26 | 8 | 23 | 19 | 11.5 | 28 | -30 | 80 | 79 | 22120.0608 |
| 10 | M20 x 1,5 | 31 | 91.0 | 10 | 33 | 10 | 30 | 22 | 28.0 | 54 | -30 | 80 | 134 | 22120.0610 |

¹⁾ statistical average value

Accessories

| | Dimensions d_2 [mm] | Wrench size [mm] |  [g] | Art. No. |
|---|-----------------------------|---------------------|--|----------------------------|
| Lock nuts ISO 8675 (DIN 439), Steel | | | | |
|  | M10 x 1 | 16 | 5.2 | 22120.0115 |
| | M12 x 1,5 | 18 | 7.5 | 22120.0116 |
| | M16 x 1,5 | 24 | 15.0 | 22120.0118 |
| | M20 x 1,5 | 30 | 32.0 | 22120.0120 |
| Lock nuts ISO 8675 (DIN 439), Stainless steel | | | | |
|  | M10 x 1 | 16 | 5.2 | 22120.0515 |
| | M12 x 1,5 | 18 | 7.5 | 22120.0516 |
| | M16 x 1,5 | 24 | 15.0 | 22120.0518 |
| | M20 x 1,5 | 30 | 32.0 | 22120.0520 |

Application example



Compliance

For detailed compliance information please select the desired article number.