

**Index Plungers · with hexagon collar, stainless steel**  
EH 22120.



**Product Description**

Index plungers are used for indexing bores.

**Material**

**Body**

- Stainless steel 1.4305

**Locking pin**

- Stainless steel 1.4305, nickel-plated

**Knob**

- Stainless steel 1.4305

**Assembly**

The screw length can be adapted by distance collars for index plungers (EH 22120.).

**More information**

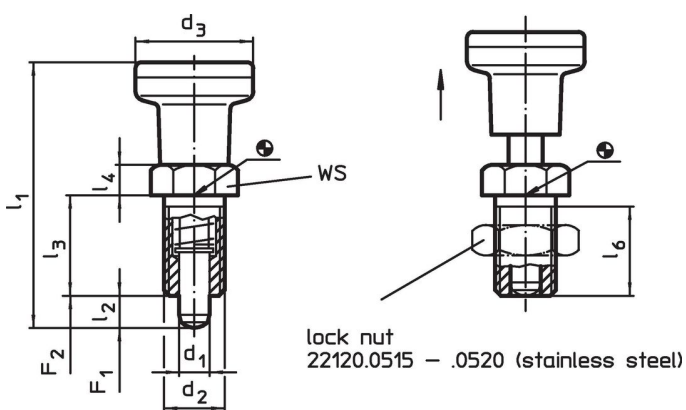
**Notes**

Knob not removable.  
Lock nuts have to be purchased separately.

**Further products**

- Mounting Blocks, for index bolts and index plungers, die-cast
- Distance Collars, for index plungers

**Drawing**




### Order information

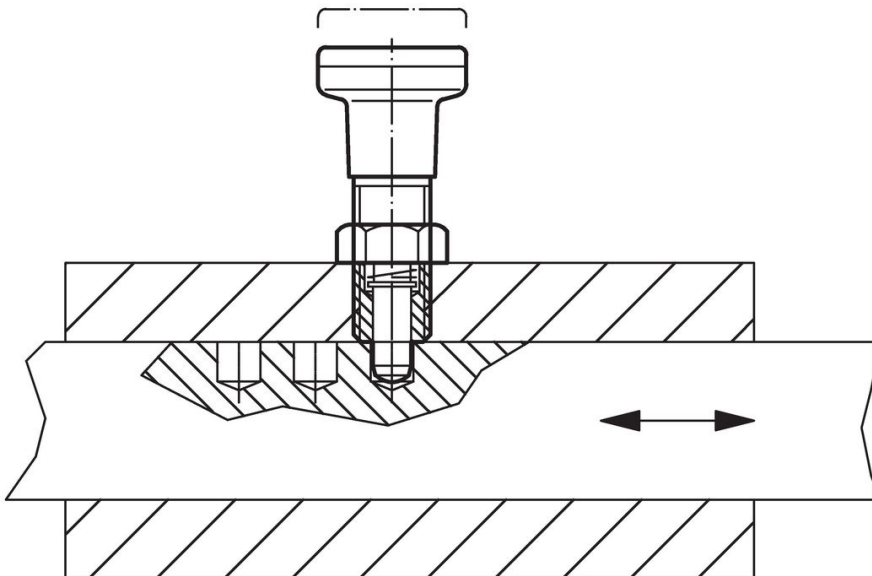
d <sub>1</sub> -0.02 -0.05	d <sub>2</sub>	d <sub>3</sub>	Dimensions					WS [mm]	Spring load <sup>1)</sup>		max. [°C]	[g]	Art. No.
			l <sub>1</sub> ~ [mm]	l <sub>2</sub> min.	l <sub>3</sub>	l <sub>4</sub>	l <sub>6</sub> min.		F <sub>1</sub> ~ [N]	F <sub>2</sub> ~			
<b>Stainless steel</b>													
5	M10 x 1	21	45.0	5	17	5	15	12	6.0	14	250	43	<a href="#">22120.0485</a>
6	M12 x 1,5	25	54.5	6	20	6	17	14	6.5	19	250	65	<a href="#">22120.0486</a>
8	M16 x 1,5	31	69.0	8	26	8	23	19	11.5	28	250	132	<a href="#">22120.0488</a>
10	M20 x 1,5	31	80.0	10	33	10	30	22	23.0	54	250	179	<a href="#">22120.0490</a>

<sup>1)</sup> statistical average value

### Accessories

	Dimensions d <sub>2</sub> [mm]	Wrench size [mm]	[g]	Art. No.
<b>Lock nuts ISO 8675 (DIN 439), Stainless steel</b>				
	M10 x 1	16	5.2	<a href="#">22120.0515</a>
	M12 x 1,5	18	7.5	<a href="#">22120.0516</a>
	M16 x 1,5	24	15.0	<a href="#">22120.0518</a>
	M20 x 1,5	30	32.0	<a href="#">22120.0520</a>

### Application example



### Compliance

For detailed compliance information please select the desired article number.