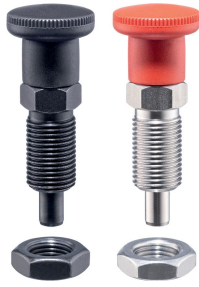


Index Plungers Compact • with hexagon collar and locking EH 22110.



Product Description

Index plungers are used for indexing bores.
Types with / without lock have the same building height.
Due to a thread recess the index plungers can be completely screwed in.

Material

Body

- Steel, blackened
- Stainless steel 1.4305

Locking pin

- Steel, hardened
- Stainless steel 1.4305, nickel-plated

Knob

- Thermoplastic PA 6, black, dull
- Thermoplast PA 6, red, dull

Assembly

The screw length can be adapted by distance collars for index plungers (EH 22120.).

Operation

The knob is pulled-out, turned 90° and secured by a notched catch (when locking pin should not overhang).

More information

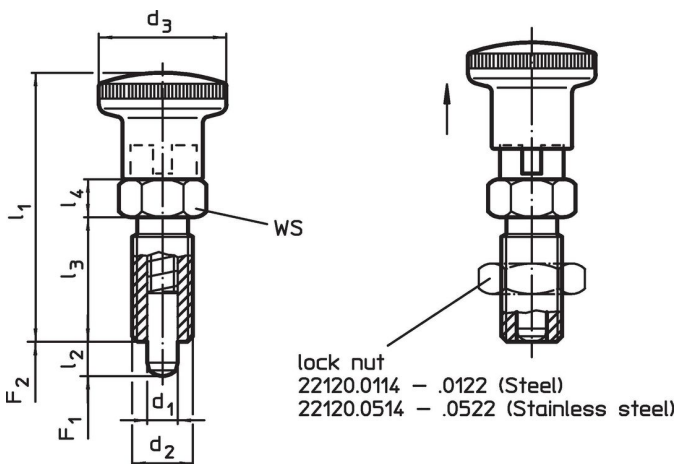
Notes

Knob not removable.
Lock nuts have to be purchased separately.

Further products

- Mounting Blocks, for index bolts and index plungers, die-cast
- Locating Bushings, for index bolts and index plungers
- Distance Collars, for index plungers

Drawing



Order information




| Dimensions | | | | | | | WS | Spring load ¹⁾ | | Temperature | | Weight | Art. No. |
|--------------------------------|----------------|------------------------|----------------|----------------|----------------|----------------|------|---------------------------|---------------------|-------------|------|--------|------------|
| d ₁ | d ₂ | l ₂ min. | d ₃ | l ₁ | l ₃ | l ₄ | | F ₁ ~ | F ₂ ~ | min. | max. | | |
| [mm] | | | | | | | [mm] | [N] | | [°C] | | [g] | |
| with knob, black, Steel | | | | | | | | | | | | | |
| 4 | M 8 x 1 | 4 | 16 | 35.0 | 16 | 5 | 10 | 4.5 | 12.0 | -30 | 80 | 12 | 22110.0123 |
| 4 | M 8 x 1 | 6 | 16 | 35.0 | 16 | 5 | 10 | 4.0 | 12.5 | -30 | 80 | 12 | 22110.0124 |
| 5 | M10 x 1 | 5 | 19 | 40.0 | 18 | 6 | 12 | 5.0 | 15.0 | -30 | 80 | 20 | 22110.0126 |
| 5 | M10 x 1 | 8 | 19 | 40.0 | 18 | 6 | 12 | 5.0 | 18.0 | -30 | 80 | 20 | 22110.0127 |
| 6 | M12 x 1,5 | 6 | 23 | 48.0 | 22 | 6 | 14 | 6.5 | 19.0 | -30 | 80 | 31 | 22110.0129 |
| 6 | M12 x 1,5 | 9 | 23 | 48.0 | 22 | 6 | 14 | 6.0 | 25.0 | -30 | 80 | 33 | 22110.0130 |
| 8 | M16 x 1,5 | 8 | 28 | 58.0 | 26 | 8 | 17 | 8.5 | 26.0 | -30 | 80 | 65 | 22110.0132 |

¹⁾ statistical average value

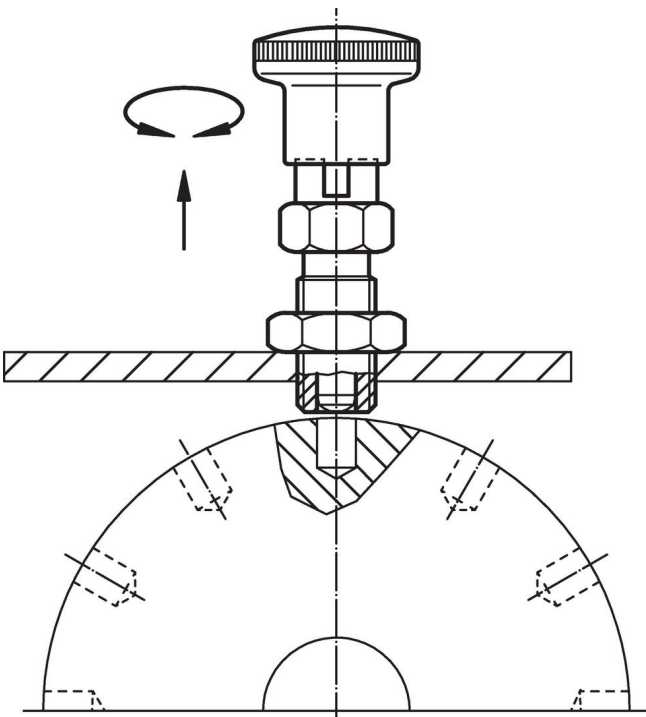
| d ₁ -0.02 -0.05 | d ₂ | Dimensions | | | | | WS [mm] | Spring load ¹⁾ | | min. max. | | [g] | Art. No. |
|--|----------------|------------------------|----------------|----------------|----------------|----------------|------------|----------------------------|----------------------------|-------------|----|-----|------------|
| | | l ₂ min. | d ₃ | l ₁ | l ₃ | l ₄ | | F ₁ ~ [N] | F ₂ ~ [N] | [°C] | | | |
| [mm] | | | | | | | | | | | | | |
| 8 | M16 x 1,5 | 12 | 28 | 58.0 | 26 | 8 | 17 | 8.5 | 28.0 | -30 | 80 | 68 | 22110.0133 |
| 10 | M16 x 1,5 | 12 | 28 | 58.0 | 26 | 8 | 17 | 9.5 | 38.0 | -30 | 80 | 69 | 22110.0135 |
| 12 | M20 x 1,5 | 15 | 33 | 67.0 | 33 | 10 | 22 | 11.5 | 40.0 | -30 | 80 | 125 | 22110.0136 |
| 16 | M24 x 2 | 20 | 33 | 78.5 | 38 | 12 | 27 | 13.0 | 54.0 | -30 | 80 | 219 | 22110.0137 |
| with knob, black, Stainless steel | | | | | | | | | | | | | |
| 4 | M 8 x 1 | 4 | 16 | 35.0 | 16 | 5 | 10 | 4.5 | 12.0 | -30 | 80 | 12 | 22110.0223 |
| 4 | M 8 x 1 | 6 | 16 | 35.0 | 16 | 5 | 10 | 4.0 | 12.5 | -30 | 80 | 12 | 22110.0224 |
| 5 | M10 x 1 | 5 | 19 | 40.0 | 18 | 6 | 12 | 5.0 | 15.0 | -30 | 80 | 20 | 22110.0226 |
| 5 | M10 x 1 | 8 | 19 | 40.0 | 18 | 6 | 12 | 5.0 | 18.0 | -30 | 80 | 20 | 22110.0227 |
| 6 | M12 x 1,5 | 6 | 23 | 48.0 | 22 | 6 | 14 | 6.5 | 19.0 | -30 | 80 | 31 | 22110.0229 |
| 6 | M12 x 1,5 | 9 | 23 | 48.0 | 22 | 6 | 14 | 6.0 | 25.0 | -30 | 80 | 33 | 22110.0230 |
| 8 | M16 x 1,5 | 8 | 28 | 58.0 | 26 | 8 | 17 | 8.5 | 26.0 | -30 | 80 | 65 | 22110.0232 |
| 8 | M16 x 1,5 | 12 | 28 | 58.0 | 26 | 8 | 17 | 8.5 | 28.0 | -30 | 80 | 68 | 22110.0233 |
| 10 | M16 x 1,5 | 12 | 28 | 58.0 | 26 | 8 | 17 | 9.5 | 38.0 | -30 | 80 | 69 | 22110.0235 |
| 12 | M20 x 1,5 | 15 | 33 | 67.0 | 33 | 10 | 22 | 11.5 | 40.0 | -30 | 80 | 125 | 22110.0236 |
| 16 | M24 x 2 | 20 | 33 | 78.5 | 38 | 12 | 27 | 13.0 | 54.0 | -30 | 80 | 219 | 22110.0237 |
| with knob, red, Steel | | | | | | | | | | | | | |
| 4 | M 8 x 1 | 4 | 16 | 35.0 | 16 | 5 | 10 | 4.5 | 12.0 | -30 | 80 | 11 | 22110.2123 |
| 4 | M 8 x 1 | 6 | 16 | 35.0 | 16 | 5 | 10 | 4.0 | 12.5 | -30 | 80 | 13 | 22110.2124 |
| 5 | M10 x 1 | 5 | 19 | 40.0 | 18 | 6 | 12 | 5.0 | 15.0 | -30 | 80 | 21 | 22110.2126 |
| 5 | M10 x 1 | 8 | 19 | 40.0 | 18 | 6 | 12 | 5.0 | 18.0 | -30 | 80 | 21 | 22110.2127 |
| 6 | M12 x 1,5 | 6 | 23 | 48.0 | 22 | 6 | 14 | 6.5 | 19.0 | -30 | 80 | 33 | 22110.2129 |
| 6 | M12 x 1,5 | 9 | 23 | 48.0 | 22 | 6 | 14 | 6.0 | 25.0 | -30 | 80 | 32 | 22110.2130 |
| 8 | M16 x 1,5 | 8 | 28 | 58.0 | 26 | 8 | 17 | 8.5 | 26.0 | -30 | 80 | 65 | 22110.2132 |
| 8 | M16 x 1,5 | 12 | 28 | 58.0 | 26 | 8 | 17 | 8.5 | 28.0 | -30 | 80 | 69 | 22110.2133 |
| 10 | M16 x 1,5 | 12 | 28 | 58.0 | 26 | 8 | 17 | 9.5 | 38.0 | -30 | 80 | 70 | 22110.2135 |
| 12 | M20 x 1,5 | 15 | 33 | 71.5 | 33 | 10 | 22 | 11.5 | 40.0 | -30 | 80 | 127 | 22110.2136 |
| 16 | M24 x 2 | 20 | 33 | 78.5 | 38 | 12 | 27 | 13.0 | 54.0 | -30 | 80 | 200 | 22110.2137 |
| with knob, red, Stainless steel | | | | | | | | | | | | | |
| 4 | M 8 x 1 | 4 | 16 | 35.0 | 16 | 5 | 10 | 4.5 | 12.0 | -30 | 80 | 11 | 22110.2223 |
| 4 | M 8 x 1 | 6 | 16 | 35.0 | 16 | 5 | 10 | 4.0 | 12.5 | -30 | 80 | 13 | 22110.2224 |
| 5 | M10 x 1 | 5 | 19 | 40.0 | 18 | 6 | 12 | 5.0 | 15.0 | -30 | 80 | 21 | 22110.2226 |
| 5 | M10 x 1 | 8 | 19 | 40.0 | 18 | 6 | 12 | 5.0 | 18.0 | -30 | 80 | 21 | 22110.2227 |
| 6 | M12 x 1,5 | 6 | 23 | 48.0 | 22 | 6 | 14 | 6.5 | 19.0 | -30 | 80 | 33 | 22110.2229 |
| 6 | M12 x 1,5 | 9 | 23 | 48.0 | 22 | 6 | 14 | 6.0 | 25.0 | -30 | 80 | 32 | 22110.2230 |
| 8 | M16 x 1,5 | 8 | 28 | 58.0 | 26 | 8 | 17 | 8.5 | 26.0 | -30 | 80 | 65 | 22110.2232 |
| 8 | M16 x 1,5 | 12 | 28 | 58.0 | 26 | 8 | 17 | 8.5 | 28.0 | -30 | 80 | 69 | 22110.2233 |
| 10 | M16 x 1,5 | 12 | 28 | 58.0 | 26 | 8 | 17 | 9.5 | 38.0 | -30 | 80 | 70 | 22110.2235 |
| 12 | M20 x 1,5 | 15 | 33 | 71.5 | 33 | 10 | 22 | 11.5 | 40.0 | -30 | 80 | 127 | 22110.2236 |
| 16 | M24 x 2 | 20 | 33 | 78.5 | 38 | 12 | 27 | 13.0 | 54.0 | -30 | 80 | 200 | 22110.2237 |

¹⁾ statistical average value

Accessories

| | Dimensions d ₂ [mm] | Wrench size [mm] |  [g] | Art. No. |
|---|--------------------------------------|---------------------|--|----------------------------|
| Lock nuts ISO 8675 (DIN 439), Steel | | | | |
|  | M 8 x 1 | 13 | 2.7 | 22120.0114 |
| | M10 x 1 | 16 | 5.2 | 22120.0115 |
| | M12 x 1,5 | 18 | 7.5 | 22120.0116 |
| | M16 x 1,5 | 24 | 15.0 | 22120.0118 |
| | M20 x 1,5 | 30 | 32.0 | 22120.0120 |
| | M24 x 2 | 36 | 58.0 | 22120.0122 |
| Lock nuts ISO 8675 (DIN 439), Stainless steel | | | | |
|  | M 8 x 1 | 13 | 2.7 | 22120.0514 |
| | M10 x 1 | 16 | 5.2 | 22120.0515 |
| | M12 x 1,5 | 18 | 7.5 | 22120.0516 |
| | M16 x 1,5 | 24 | 15.0 | 22120.0518 |
| | M20 x 1,5 | 30 | 32.0 | 22120.0520 |
| | M24 x 2 | 36 | 58.0 | 22120.0522 |

Application example



Compliance

For detailed compliance information please select the desired article number.