

## Spring Plungers · with moveable ball and slot

EH 22051.



### Product Description

Spring plungers can be used for locating or for applying pressure, as a detent or for ejection. The running of the ball minimises wear on the counterpart, this also results in a positive locking behaviour depending on the counterpart. Another advantage of the plastic ball is the electric insulation.

#### Material

##### Body

- Free cutting steel, blackened
- Stainless steel 1.4305

##### Bearing

- plastic

##### Ball

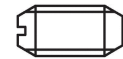
- Ball-bearing steel, hardened
- Stainless steel, hardened

##### Spring

- Stainless steel

#### Characteristic

Standard spring load: no marking  
Heavy spring load: marked with two lines



Standard spring load



Heavy spring load

#### More information

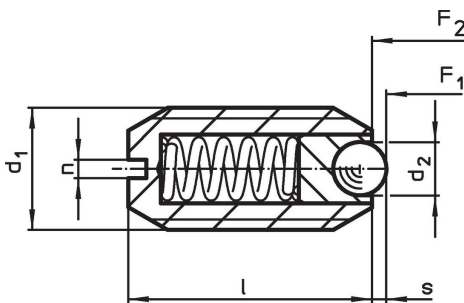
#### Notes

Special types on request.  
Spring plungers are specially tested for spring range and forces.

#### References

Thread lock on request, please refer to appendix - Technical Data -  
Calculation of indexing resistance, please refer to appendix - Technical Data -

### Drawing



### Order information

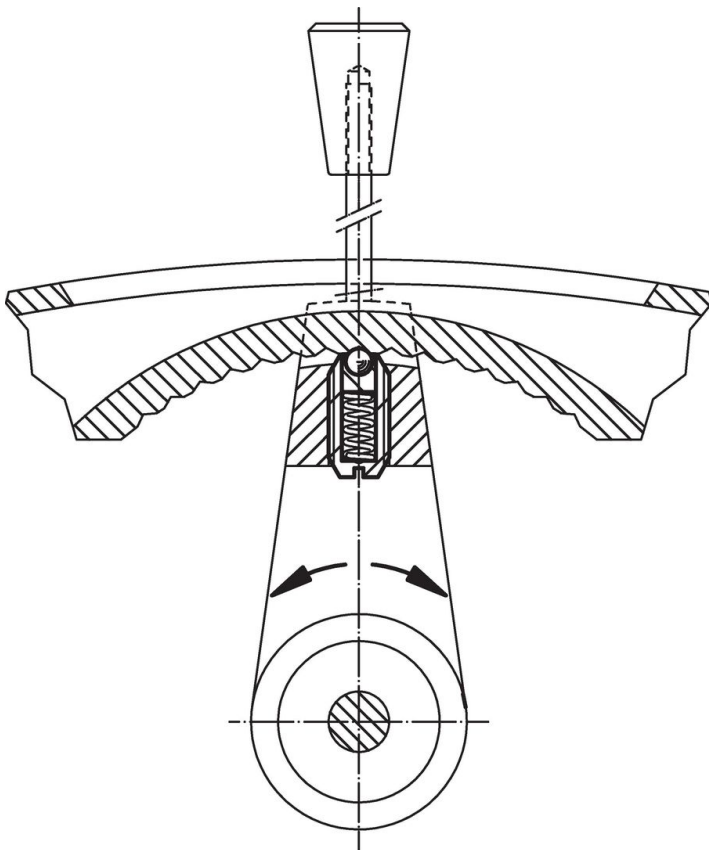
Dimensions				Stroke s [mm]	Spring load <sup>1)</sup>		min.   max.		[g]	Art. No.
d <sub>1</sub>	d <sub>2</sub>	l	n		F <sub>1</sub> ~ [N]	F <sub>2</sub> ~	[°C]			
[mm]										
<b>free cutting steel, standard spring load</b>										
M 5	2.0	12	0.8	0.50	4.8	6.8	-30	90	0.8	22051.0005
M 6	2.5	14	1.0	0.70	6.3	10.0	-30	90	1.5	22051.0006
M 8	3.5	16	1.2	0.95	16.0	24.0	-30	90	3.3	22051.0008
M10	4.5	19	1.5	1.40	18.8	31.7	-30	90	5.9	22051.0010
M12	6.5	22	2.0	2.50	24.0	49.0	-30	90	9.3	22051.0012
M16	8.5	24	2.0	3.10	38.0	68.0	-30	90	20.0	22051.0016
<b>free cutting steel, heavy spring load</b>										
M 5	2.0	12	0.8	0.50	10.0	14.0	-30	90	0.9	22051.0205
M 6	2.5	14	1.0	0.70	11.0	16.0	-30	90	1.5	22051.0206
M 8	3.5	16	1.2	0.95	23.0	40.0	-30	90	3.3	22051.0208
M10	4.5	19	1.5	1.40	28.0	54.3	-30	90	6.0	22051.0210
M12	6.5	22	2.0	2.50	36.5	77.3	-30	90	9.4	22051.0212
M16	8.5	24	2.0	3.10	50.0	88.7	-30	90	20.0	22051.0216

<sup>1)</sup> statistical average value

d <sub>1</sub>	Dimensions			Stroke s [mm]	Spring load <sup>1)</sup>		min.   max.		[g]	Art. No.
	d <sub>2</sub>	l	n		F <sub>1</sub> ~ [N]	F <sub>2</sub> ~ [N]	[°C]			
[mm]										
<b>stainless steel, standard spring load</b>										
M 5	2.0	12	0.8	0.50	4.8	6.8	-30	90	0.9	<a href="#">22051.0405</a>
M 6	2.5	14	1.0	0.70	6.3	10.0	-30	90	1.5	<a href="#">22051.0406</a>
M 8	3.5	16	1.2	0.95	16.0	24.0	-30	90	3.3	<a href="#">22051.0408</a>
M10	4.5	19	1.5	1.40	18.8	31.7	-30	90	5.9	<a href="#">22051.0410</a>
M12	6.5	22	2.0	2.50	24.0	49.0	-30	90	9.4	<a href="#">22051.0412</a>
M16	8.2	24	2.0	3.10	38.0	68.0	-30	90	20.0	<a href="#">22051.0416</a>
<b>stainless steel, heavy spring load</b>										
M 5	2.0	12	0.8	0.50	10.0	14.0	-30	90	0.9	<a href="#">22051.0605</a>
M 6	2.5	14	1.0	0.70	11.0	16.0	-30	90	1.5	<a href="#">22051.0606</a>
M 8	3.5	16	1.2	0.95	23.0	40.0	-30	90	3.4	<a href="#">22051.0608</a>
M10	4.5	19	1.5	1.40	28.0	54.3	-30	90	6.0	<a href="#">22051.0610</a>
M12	6.5	22	2.0	2.50	36.5	77.3	-30	90	9.5	<a href="#">22051.0612</a>
M16	8.5	24	2.0	3.10	50.0	88.7	-30	90	20.0	<a href="#">22051.0616</a>

<sup>1)</sup> statistical average value

### Application example



### Compliance

For detailed compliance information please select the desired article number.