

Spring Plungers · plastic

EH 22040.



Product Description

Spring plungers can be used for locating or for applying pressure, as a detent or for ejection.

Material

Body

- Thermoplastic POM, blue

Ball

- Stainless steel, hardened
- Thermoplastic POM, white

Spring

- Stainless steel

More information

Notes

Special types on request.
Spring plungers are specially tested for spring range and forces.

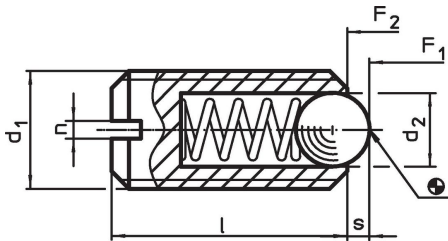
References

Thread lock on request, please refer to appendix - Technical Data -
Calculation of indexing resistance, please refer to appendix - Technical Data -

Further products

- Locators, with bore hole, for spring plungers
- Locators, smooth, for spring plungers
- Holders, for spring plungers

Drawing

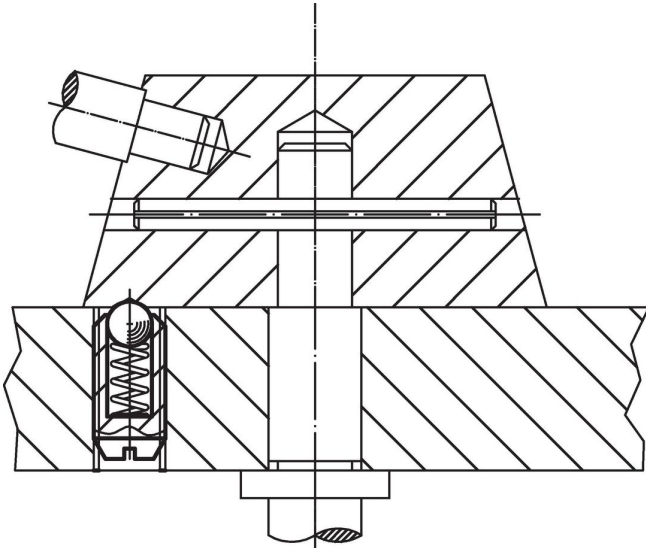


Order information

Dimensions				Stroke s [mm]	Spring load ¹⁾		Temperature		Weight [g]	Art. No.
d ₁	d ₂	l	n		F ₁ ~ [N]	F ₂ ~ [N]	min.	max.		
[mm]							[°C]			
ball from stainless steel										
M 6	3.5	14	1.0	0.9	12	17	-30	50	0.5	22040.0006
M 8	5.0	16	1.2	1.5	20	35	-30	50	1.3	22040.0008
M10	6.0	19	1.5	1.9	25	45	-30	50	2.5	22040.0010
ball from thermoplastic										
M 6	3.5	14	1.0	0.9	12	17	-30	50	0.4	22040.0406
M 8	5.0	16	1.2	1.5	20	35	-30	50	0.9	22040.0408
M10	6.0	19	1.5	1.9	25	45	-30	50	1.8	22040.0410

¹⁾ statistical average value

Application example



Compliance

RoHS compliant

Compliant according to Directive 2011/65/EU and Directive 2015/863.

Does not contain SVHC substances

No SVHC substances with more than 0.1% w/w contained - SVHC list [REACH] as of 27.06.2024.

Does not contain Proposition 65 substances

No Proposition 65 substances included.

<https://www.P65Warnings.ca.gov/>

Free from Conflict Minerals

This product does not contain any substances designated as "conflict minerals" such as tantalum, tin, gold or tungsten from the Democratic Republic of Congo or adjacent countries.