

## Spring Plungers • headed, with ball and internal hexagon EH 22030.



### Product Description

Spring plungers can be used for locating or for applying pressure, as a detent or for ejection. Precise screwing depth due to head.

### Material

#### Body

- Free cutting steel, blackened
- Stainless steel 1.4305

#### Ball

- Ball-bearing steel, hardened
- Stainless steel, hardened

#### Spring

- Stainless steel

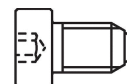
### Assembly

Respect dimension  $l_3$  for M 4 / M 5.

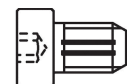
### Characteristic

Standard spring load: no marking

Heavy spring load: marked with two lines



Standard spring load



Heavy spring load

### More information

### Notes

Special types on request.

Spring plungers are specially tested for spring range and forces.

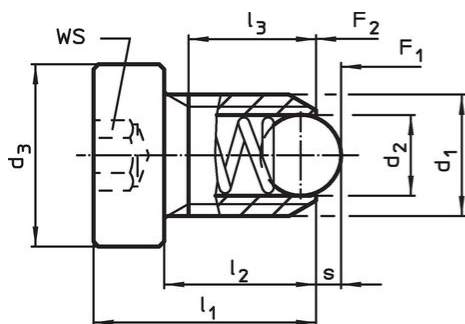
### References

Thread lock on request, please refer to appendix - Technical Data -  
Calculation of indexing resistance, please refer to appendix - Technical Data -

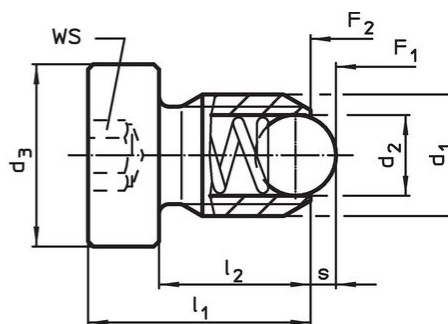
### Further products

- Locators, with bore hole, for spring plungers
- Locators, smooth, for spring plungers

### Drawing



Size M4+M5



Size M6-M12

### Order information

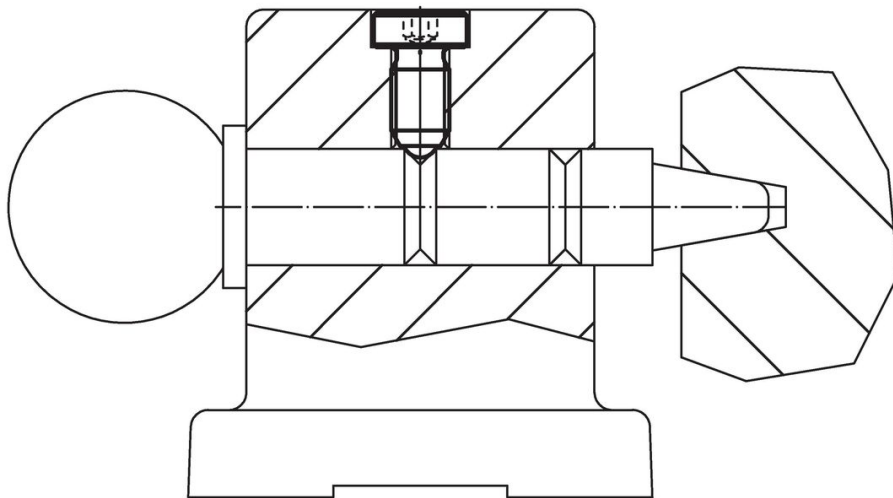
d <sub>1</sub>	d <sub>2</sub>	Dimensions				l <sub>3</sub> min.	WS [mm]	Stroke s [mm]	Spring load <sup>1)</sup>		max. [°C]	g	Art. No.
		d <sub>3</sub>	l <sub>1</sub>	l <sub>2</sub>	F <sub>1</sub> ~ [N]				F <sub>2</sub> ~ [N]				
free cutting steel, standard spring load													
M 4	2.5	6	12	9.0	7.5	2.0	0.8	8.0	14.0	250	1.0	22030.0930	
M 5	3.0	8	14	10.0	8.2	2.5	0.9	8.0	14.0	250	2.3	22030.0931	
M 6	3.5	10	15	10.0	-	3.0	1.0	11.0	18.0	250	3.9	22030.0932	
M 8	4.5	13	18	12.5	-	4.0	1.5	18.0	31.0	250	7.8	22030.0933	
M10	6.0	16	23	17.0	-	5.0	2.0	24.0	45.0	250	14.0	22030.0934	
M12	8.0	18	26	19.0	-	6.0	2.5	26.0	49.0	250	21.0	22030.0935	

<sup>1)</sup> statistical average value

d <sub>1</sub>	Dimensions					WS [mm]	Stroke s [mm]	Spring load <sup>1)</sup>		max. [°C]	[g]	Art. No.
	d <sub>2</sub>	d <sub>3</sub>	l <sub>1</sub>	l <sub>2</sub>	l <sub>3</sub> min.			F <sub>1</sub> ~ [N]	F <sub>2</sub> ~ [N]			
<b>free cutting steel, heavy spring load</b>												
<b>M 4</b>	2.5	6	12	9.0	7.5	2.0	0.8	12.0	18.0	250	1.1	<a href="#">22030.1040</a>
<b>M 5</b>	3.0	8	14	10.0	8.2	2.5	0.9	15.0	22.0	250	2.3	<a href="#">22030.1050</a>
<b>M 6</b>	3.5	10	15	10.0	–	3.0	1.0	19.3	26.6	250	3.9	<a href="#">22030.1060</a>
<b>M 8</b>	4.5	13	18	12.5	–	4.0	1.5	36.0	60.5	250	7.8	<a href="#">22030.1080</a>
<b>M10</b>	6.0	16	23	17.0	–	5.0	2.0	57.0	103.5	250	14.0	<a href="#">22030.1100</a>
<b>M12</b>	8.0	18	26	19.0	–	6.0	2.5	61.0	110.0	250	21.0	<a href="#">22030.1120</a>
<b>stainless steel, standard spring load</b>												
<b>M 4</b>	2.5	6	12	9.0	7.5	2.0	0.8	8.0	14.0	250	1.1	<a href="#">22030.0940</a>
<b>M 5</b>	3.0	8	14	10.0	8.2	2.5	0.9	8.0	14.0	250	2.3	<a href="#">22030.0941</a>
<b>M 6</b>	3.5	10	15	10.0	–	3.0	1.0	11.0	18.0	250	3.9	<a href="#">22030.0942</a>
<b>M 8</b>	4.5	13	18	12.5	–	4.0	1.5	18.0	31.0	250	7.8	<a href="#">22030.0943</a>
<b>M10</b>	6.0	16	23	17.0	–	5.0	2.0	24.0	45.0	250	14.0	<a href="#">22030.0944</a>
<b>M12</b>	8.0	18	26	19.0	–	6.0	2.5	26.0	49.0	250	21.0	<a href="#">22030.0945</a>
<b>stainless steel, heavy spring load</b>												
<b>M 4</b>	2.5	6	12	9.0	7.5	2.0	0.8	12.0	18.0	250	1.1	<a href="#">22030.2040</a>
<b>M 5</b>	3.0	8	14	10.0	8.2	2.5	0.9	15.0	22.0	250	2.3	<a href="#">22030.2050</a>
<b>M 6</b>	3.5	10	15	10.0	–	3.0	1.0	19.3	26.6	250	3.9	<a href="#">22030.2060</a>
<b>M 8</b>	4.5	13	18	12.5	–	4.0	1.5	36.0	60.5	250	7.9	<a href="#">22030.2080</a>
<b>M10</b>	6.0	16	23	17.0	–	5.0	2.0	57.0	103.5	250	14.0	<a href="#">22030.2100</a>
<b>M12</b>	8.0	18	26	19.0	–	6.0	2.5	61.0	110.0	250	22.0	<a href="#">22030.2120</a>

<sup>1)</sup> statistical average value

### Application example



### Compliance

For detailed compliance information please select the desired article number.