

Base Plates · with 2 connecting elements

EH 1990.



Product Description

Material

**Connecting element**  
• Refer to Art. No. 1990.100-102

**Base plate**  
• Aluminium Al

More information

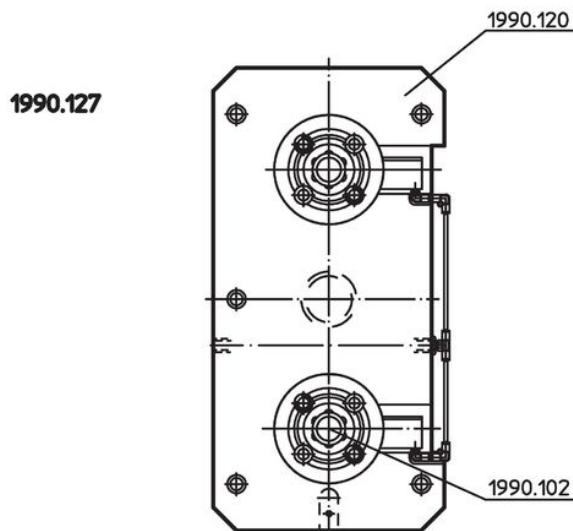
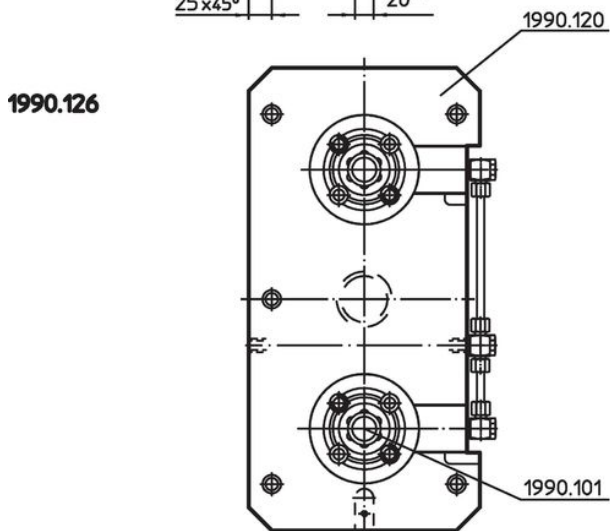
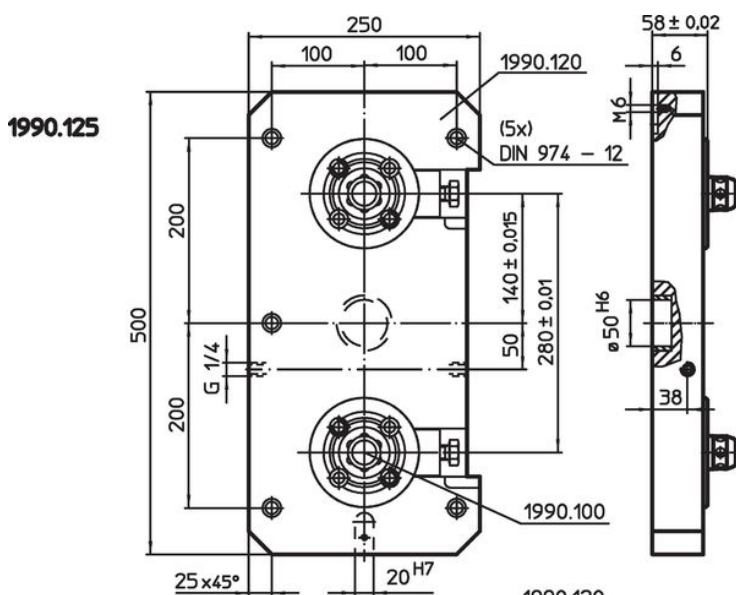
Notes

Special types on request.


Further products

- Connecting Elements, modular, mechanically operated
- Connecting Elements, modular, hydraulically operated
- Connecting Elements, modular, pneumatically operated
- Supporting Plates, with 2 connecting rings

Drawing



### Order information

	 [kg]	Art. No.
<b>mechanical</b>	16.5	1990.125
<b>hydraulic</b>	17.0	1990.126
<b>pneumatical</b>	16.0	1990.127

### Compliance

**RoHS compliant**

Contains lead - compliant according to exceptions 6a / 6b / 6c.

**Contains SVHC substances >0,1% w/w**

Contains lead - SVHC list [REACH] as of 23.01.2024.

**Contains Proposition 65 substances**



Lead can cause cancer and reproductive harm from exposure  
<https://www.P65Warnings.ca.gov/>

**Free from Conflict Minerals**

This product does not contain any substances designated as "conflict minerals" such as tantalum, tin, gold or tungsten from the Democratic Republic of Congo or adjacent countries.