

Stops • horizontal prisms

EH 1586.

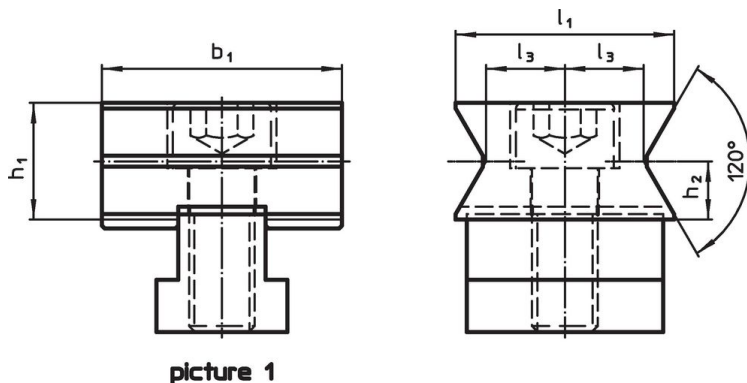


Product Description

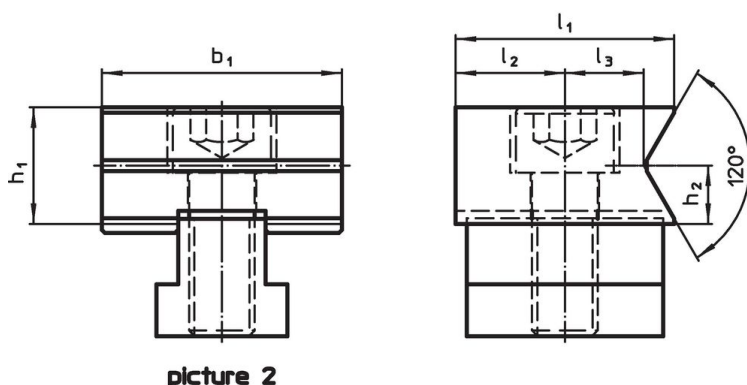
Material

- Tool steel, hardened

Drawing



picture 1



picture 2

Order information

d <sub>1</sub>	d <sub>2</sub>	l <sub>1</sub>	Dimensions				h <sub>1</sub>	h <sub>2</sub>	[g]	Art. No.
			l <sub>2</sub> ±0.01	l <sub>3</sub>	b <sub>1</sub> -0.05	[mm]				
<b>horizontal prisms on both sides – picture 1</b>										
M12	8 – 20	40	–	14.4	44	21.4	10.7	367	1586.030	
<b>horizontal prism and plain – picture 2</b>										
M12	8 – 20	40	20	14.4	44	21.4	10.7	377	1586.031	

## Compliance

### RoHS compliant

Compliant according to Directive 2011/65/EU and Directive 2015/863.

### Does not contain SVHC substances

No SVHC substances with more than 0.1% w/w contained - SVHC list [REACH] as of 23.01.2024.

### Does not contain Proposition 65 substances

No Proposition 65 substances included.

<https://www.P65Warnings.ca.gov/>

### Free from Conflict Minerals

This product does not contain any substances designated as "conflict minerals" such as tantalum, tin, gold or tungsten from the Democratic Republic of Congo or adjacent countries.