

Lateral Plungers • with plastic spring and pin - INCH

2B150.0430



Product Description

To be used for positioning and applying pressure, e.g. during painting and sandblasting.

Material

Body

- Aluminium Al

Spring

- plastic

Pin

- Thermoplastic POM, white

Assembly

Installation by pressing in.

Formula for calculating the center distance for the mounting hole:

$$l_0 = z/2 + w + x,$$

l_0 = center distance,

y = workpiece height,

w = workpiece length,

x = coordinate dimension,

s = stroke,

z = stop diameter

Calculation dimension x :

y greater than or equal to $l_2 - d_2/2$,

then $x = d_2/2 - s$

or

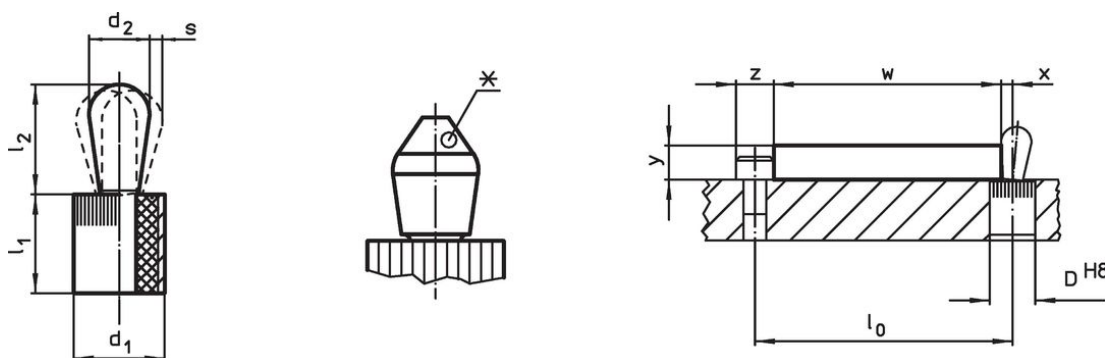
y smaller than $l_2 - d_2/2$,

then $x = d_2/2 - s - [(l_2 - d_2/2 - y) * 0,123]$

Characteristic

Version standard spring load = red spring

Drawing



*some sizes (see chart) have a deviating pin shape

Order information

| Dimensions | | Spring load F max. ¹⁾ ~ [lb] | Dimensions | | Stroke s [in] | Location hole D H8 [in] | $x^{2)}$ [in] | max. [°F] | oz | Art. No. |
|---------------|---------------|---|------------------------|-----------------------------|---------------------|-------------------------------------|------------------|--------------|-------|------------|
| d_1 [in] | d_2 [in] | | l_1 -0.03 [in] | l_2 ± 0.02 [in] | | | | | | |
| 1/2 | 0.315 | 11.1 | 0.553 | 0.515 | 0.024 | 0.5 | 0.134 | 176 | 0.104 | 2B150.0430 |

¹⁾ statistical average value

²⁾ If the workpiece height (y) is less than $l_2 - d_2/2$, the coordinate dimension (x) must be calculated.

Accessories

| | Dimensions d_1 [in] | oz | Art. No. |
|---------------|-----------------------------|-------|------------|
| assembly tool | | | |
| | 1/2 | 2.321 | 22150.0832 |

Compliance

RoHS compliant

Compliant according to Directive 2011/65/EU and Directive 2015/863.

Does not contain SVHC substances

No SVHC substances with more than 0.1% w/w contained - SVHC list [REACH] as of 23.01.2024.

Does not contain Proposition 65 substances

No Proposition 65 substances included.

<https://www.P65Warnings.ca.gov/>

Free from Conflict Minerals

This product does not contain any substances designated as "conflict minerals" such as tantalum, tin, gold or tungsten from the Democratic Republic of Congo or adjacent countries.