

Lateral Plungers • smooth, with seal - INCH  
2B150.0141



**Product Description**

To be used for positioning and applying pressure, e.g. during painting and sandblasting. Sealed against chips and dirt.

**Material**

**Seal**

- CR

**Body**

- Aluminium Al

**Spring**

- Steel, blackened

**Pin**

- Steel, case-hardened, zinc-plated by galvanization

**Assembly**

Installation by pressing in.

Formula for calculating the center distance for the mounting hole:

$$l_0 = z/2 + w + x,$$

$l_0$  = center distance,

$y$  = workpiece height,

$w$  = workpiece length,

$x$  = coordinate dimension,

$s$  = stroke,

$z$  = stop diameter

Calculation dimension  $x$ :

$y$  greater than or equal to  $l_2 - d_2/2$ ,

$$\text{then } x = d_2/2 - s$$

or

$y$  smaller than  $l_2 - d_2/2$ ,

$$\text{then } x = d_2/2 - s - [(l_2 - d_2/2 - y) * 0,123]$$

**Characteristic**

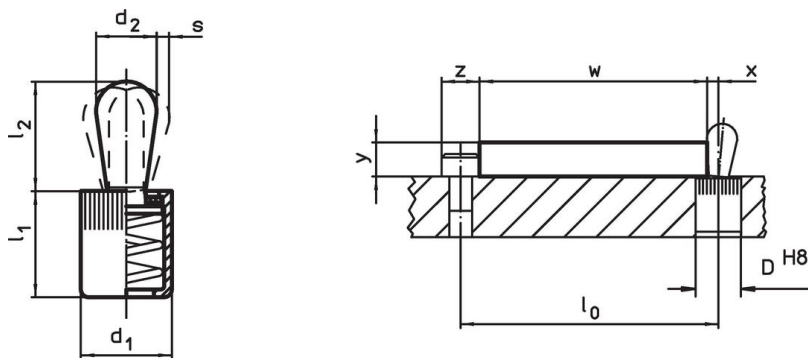
Version standard spring load = spring from steel, blackened

**More information**

**Further products**

- Eccentric Mounting Bushings, for lateral plungers, smooth - INCH

**Drawing**





**Order information**

Dimensions		Spring load F max. <sup>1)</sup> ~ [lb]	Dimensions		Stroke s [in]	Location hole D H8 [in]	x <sup>2)</sup> [in]	max. [°F]	oz	Art. No.
d <sub>1</sub>	d <sub>2</sub>		l <sub>1</sub>	l <sub>2</sub>						
5/8	0.393	34	0.708	0.646	0.063	5/8	0.126	230	0.518	2B150.0141

<sup>1)</sup> statistical average value

<sup>2)</sup> If the workpiece height (y) is less than  $l_2 - d_2/2$ , the coordinate dimension (x) must be calculated.

Accessories

	Dimensions d <sub>1</sub> [in]	 [oz]	Art. No.
<b>assembly tool</b>			
	5/8	3.749	22150.0833

Application example



Compliance

RoHS compliant

Contains lead - compliant according to exceptions 6a / 6b / 6c.

Contains SVHC substances >0,1% w/w

Contains lead - SVHC list [REACH] as of 23.01.2024.

Contains Proposition 65 substances



Lead can cause cancer and reproductive harm from exposure  
<https://www.P65Warnings.ca.gov/>

Free from Conflict Minerals

This product does not contain any substances designated as "conflict minerals" such as tantalum, tin, gold or tungsten from the Democratic Republic of Congo or adjacent countries.