

Star Grip Screws • plastic

24750.0351



Product Description

Material

Cap

- Thermoplastic PA, white similar to RAL 9019

Handle

- Thermoplastic PA 6, black similar to RAL 9005

Screw

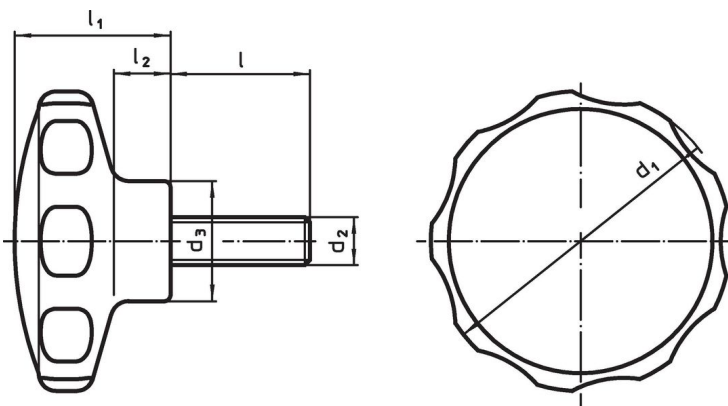
- Stainless steel

More information



Notes

Special types, e.g. differing threads or thread lengths, on request.

Drawing



Order information

Dimensions							min.  max.		Art. No.	
d ₁	d ₂	l	d ₃	l ₁	l ₂	[mm]				[°C]
white										
50	M8	18	22	26	10		-30	80	26	24750.0351

Application example



Compliance

RoHS compliant

Compliant according to Directive 2011/65/EU and Directive 2015/863.

Does not contain SVHC substances

No SVHC substances with more than 0.1% w/w contained - SVHC list [REACH] as of 23.01.2024.

Does not contain Proposition 65 substances

No Proposition 65 substances included.

<https://www.P65Warnings.ca.gov/>

Free from Conflict Minerals

This product does not contain any substances designated as "conflict minerals" such as tantalum, tin, gold or tungsten from the Democratic Republic of Congo or adjacent countries.