

Star Grips • DIN 6336 light metal  
24660.0663



**Product Description**

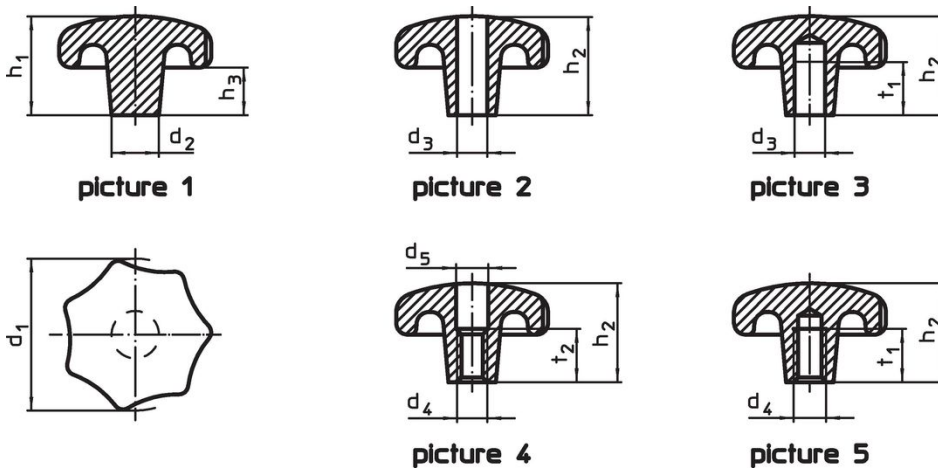
These star grips are manufactured according to DIN 6336.

**Material**

**Handle**

- Light metal Al, polished

**Drawing**



**Order information**

d <sub>1</sub>	d <sub>2</sub>	Dimensions			[g]	Art. No.
		d <sub>3</sub> H7 [mm]	h <sub>2</sub>	t <sub>1</sub> min.		
with smooth blind hole, form C – picture 3, polished						
63	20	12	40	22	117	24660.0663

**Compliance**

**RoHS compliant**

Contains lead - compliant according to exceptions 6a / 6b / 6c.

**Contains SVHC substances >0,1% w/w**

Contains lead - SVHC list [REACH] as of 27.06.2024.

**Contains Proposition 65 substances**



Lead can cause cancer and reproductive harm from exposure  
<https://www.P65Warnings.ca.gov/>

**Free from Conflict Minerals**

This product does not contain any substances designated as "conflict minerals" such as tantalum, tin, gold or tungsten from the Democratic Republic of Congo or adjacent countries.