

## Adjustable Flat Tension Levers • with screw, stainless steel

24441.1685



### Product Description

Adjustable flat tension levers are used when the swivel range is limited or a specific lever position is required.

Adjustable flat tension levers are characterised by their low construction height and are particularly suitable for use in restricted spaces or when the lever should not overhang..

### Material

#### Lever

- Zinc die-cast, plastic coated, silver, similar to RAL 9006, matt structure

#### Inner parts

- Stainless steel 1.4305

#### Screw

- Stainless steel 1.4305

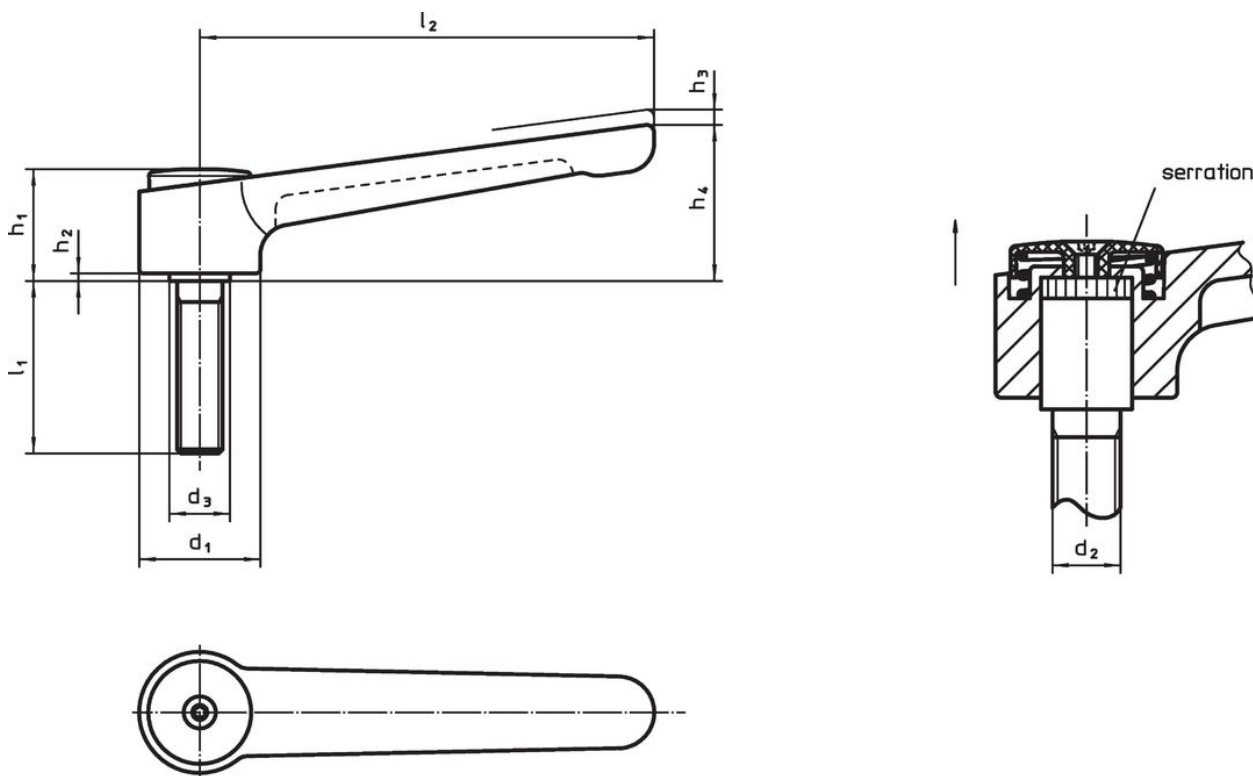
#### Covering

- Plastic, light grey

### Operation

**By lifting the lever** the serrations are disengaged. The lever can be positioned by the serrations. On releasing the lever, the serrations are automatically re-engaged.

### Drawing



### Order information

| Dimensions     |                |                |                |                |                |                |                |                | Temperature |      | Weight | Art. No.   |  |
|----------------|----------------|----------------|----------------|----------------|----------------|----------------|----------------|----------------|-------------|------|--------|------------|--|
| d <sub>1</sub> | d <sub>2</sub> | l <sub>1</sub> | d <sub>3</sub> | h <sub>1</sub> | h <sub>2</sub> | h <sub>3</sub> | h <sub>4</sub> | l <sub>2</sub> | min.        | max. | [g]    |            |  |
| [mm]           |                |                |                |                |                |                |                |                | [°C]        |      |        |            |  |
| silver         |                |                |                |                |                |                |                |                |             |      |        |            |  |
| 32             | M12            | 20             | 16             | 29.5           | 2              | 2.5            | 41.5           | 120            | -30         | 80   | 207    | 24441.1685 |  |

## Compliance

### RoHS compliant

Compliant according to Directive 2011/65/EU and Directive 2015/863.

### Does not contain SVHC substances

No SVHC substances with more than 0.1% w/w contained - SVHC list [REACH] as of 23.01.2024.

### Does not contain Proposition 65 substances

No Proposition 65 substances included.

<https://www.P65Warnings.ca.gov/>

### Free from Conflict Minerals

This product does not contain any substances designated as "conflict minerals" such as tantalum, tin, gold or tungsten from the Democratic Republic of Congo or adjacent countries.