

Crank Handles · with folding handle, stainless steel

24331.0705



Product Description

Material

Axle part

- Stainless steel 1.4305

Handle

- Thermoplastic, black, dull

Handle body

- Aluminium, plastic coated, similar to RAL 9005 black, matt structure

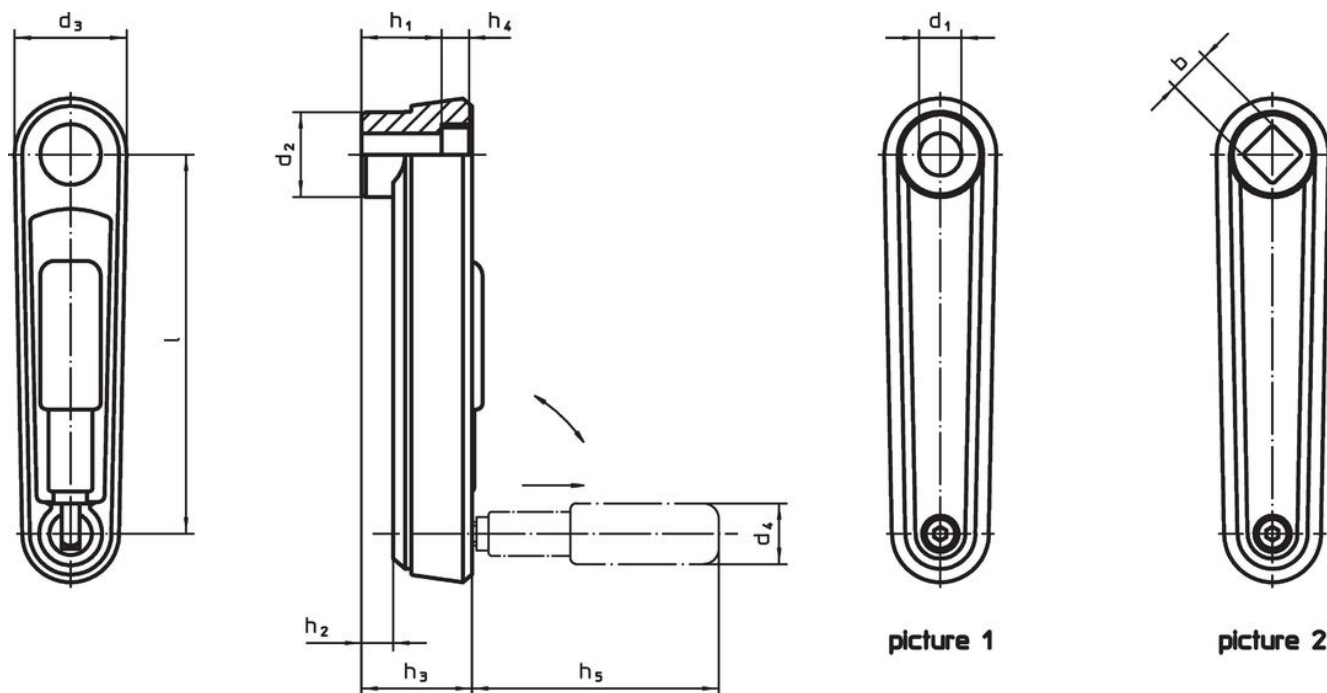
Covering

- Plastic, light grey

Operation

In the operating position the handle is locked. To move the handle to the rest position, it must be pulled out axially and flipped round.

Drawing



Order information

| l                                    | b<br>H11 | d <sub>2</sub> | d <sub>3</sub> | h <sub>1</sub> | Dimensions          |                |                |                |      | d <sub>4</sub><br>Cylindrical handle Ø | [g]        | Art. No. |
|--------------------------------------|----------|----------------|----------------|----------------|---------------------|----------------|----------------|----------------|------|--|------------|----------|
|                                      |          |                |                |                | h <sub>2</sub><br>~ | h <sub>3</sub> | h <sub>4</sub> | h <sub>5</sub> | [mm] |  |            |          |
| with square shaft – picture 2, black |          |                |                |                |                     |                |                |                |      |  |            |          |
| 80                                   | 10       | 23             | 30             | 19.5           | 4                   | 25.5           | 4.3            | 43             | 16   | 117                                    | 24331.0705 |          |

## Compliance

### RoHS compliant

Contains lead - compliant according to exceptions 6a / 6b / 6c.

### Contains SVHC substances >0,1% w/w

Contains lead - SVHC list [REACH] as of 27.06.2024.

### Contains Proposition 65 substances



Lead can cause cancer and reproductive harm from exposure  
<https://www.P65Warnings.ca.gov/>

### Free from Conflict Minerals

This product does not contain any substances designated as "conflict minerals" such as tantalum, tin, gold or tungsten from the Democratic Republic of Congo or adjacent countries.