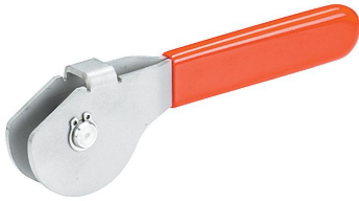


## Eccentric Levers · with fulcrum pin

23390.0508



### Product Description

The eccentric levers have an eccentric clamping range of 160°.

### Material

#### Fulcrum Pin

- Stainless steel 1.4021, heat-treated

#### Eccentric part

- Stainless steel 1.4301

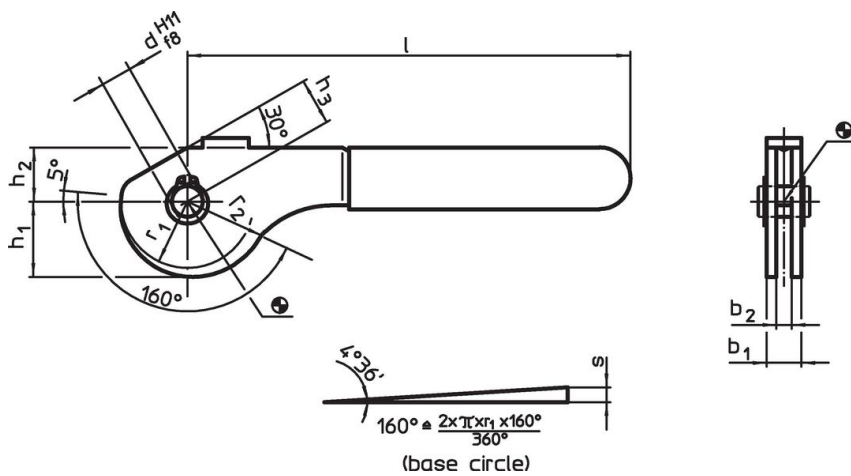
#### Safety ring

- Stainless steel 1.4310

#### Plastic cap

- PVC, red

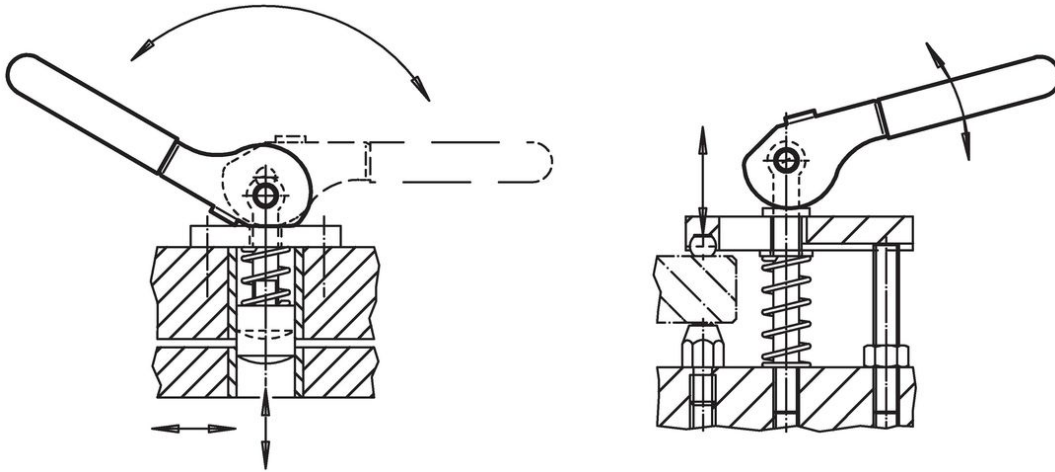
### Drawing



### Order information

Dimensions									Eccentric stroke	Total stroke	🌡️	📦	Art. No.
b <sub>1</sub>	d H11 f8	l	r <sub>1</sub>	r <sub>2</sub>	b <sub>2</sub>	h <sub>1</sub>	h <sub>2</sub>	h <sub>3</sub>	s	r <sub>2</sub> -h <sub>3</sub>	max.		
[mm]									[mm]	[mm]	[°C]	[g]	
Stainless steel													
13	8	114	17.2	21.07	9	19.54	14	12	3.87	9.07	60	94	23390.0508

## Application example



## Compliance

### RoHS compliant

Compliant according to Directive 2011/65/EU and Directive 2015/863.

### Does not contain SVHC substances

No SVHC substances with more than 0.1% w/w contained - SVHC list [REACH] as of 27.06.2024.

### Does not contain Proposition 65 substances

No Proposition 65 substances included.

<https://www.P65Warnings.ca.gov/>

### Free from Conflict Minerals

This product does not contain any substances designated as "conflict minerals" such as tantalum, tin, gold or tungsten from the Democratic Republic of Congo or adjacent countries.